

BEOK 2025 CATALOG

Gas Boiler Heating Thermostat



 Shine Wang
 +86-13127755172
 shine.wang@beok-controls.com
 www.beok-controls.com
 www.beoks.com



About BEOK

CE RoHS RED EAC

Shanghai Beok Controls Co., Ltd, founded in 2010, has over 10 years experience to integrate the research, development and production of HVAC control system products. We adhere to the strict and practical product requirements, and take a serious and responsible attitude to provide every customer with better products and better services.



BEOK Service



Customize
Program



Customize
App



Design/
Printing



Customize
Product Color



Customize
Package



ODM
Service

Main Functions of BEOK Thermostats



App control

(Wi-Fi model only)

Control the heater remotely by smart phone.



Voice control

(Wi-Fi model only)

Controlling the heater via smart speakers.



Programmable schedule

Set the temperature for each time of day and make it cycle automatically every day.



Temperature calibration

Calibrate thermostat display to actual room temperature.



Child lock

Lock the keypad when you need it to avoid misuse.



Non-volatile memory

Various current settings of the thermostat can be memorized in case of power failure.



Anti-freeze

Maintains room temperature at 5°C to prevent electronic devices from freezing. Can be turned on or off in the advanced settings.



Adjustable backlight

The brightness of the backlight can be adjusted so that the glare does not affect your rest.

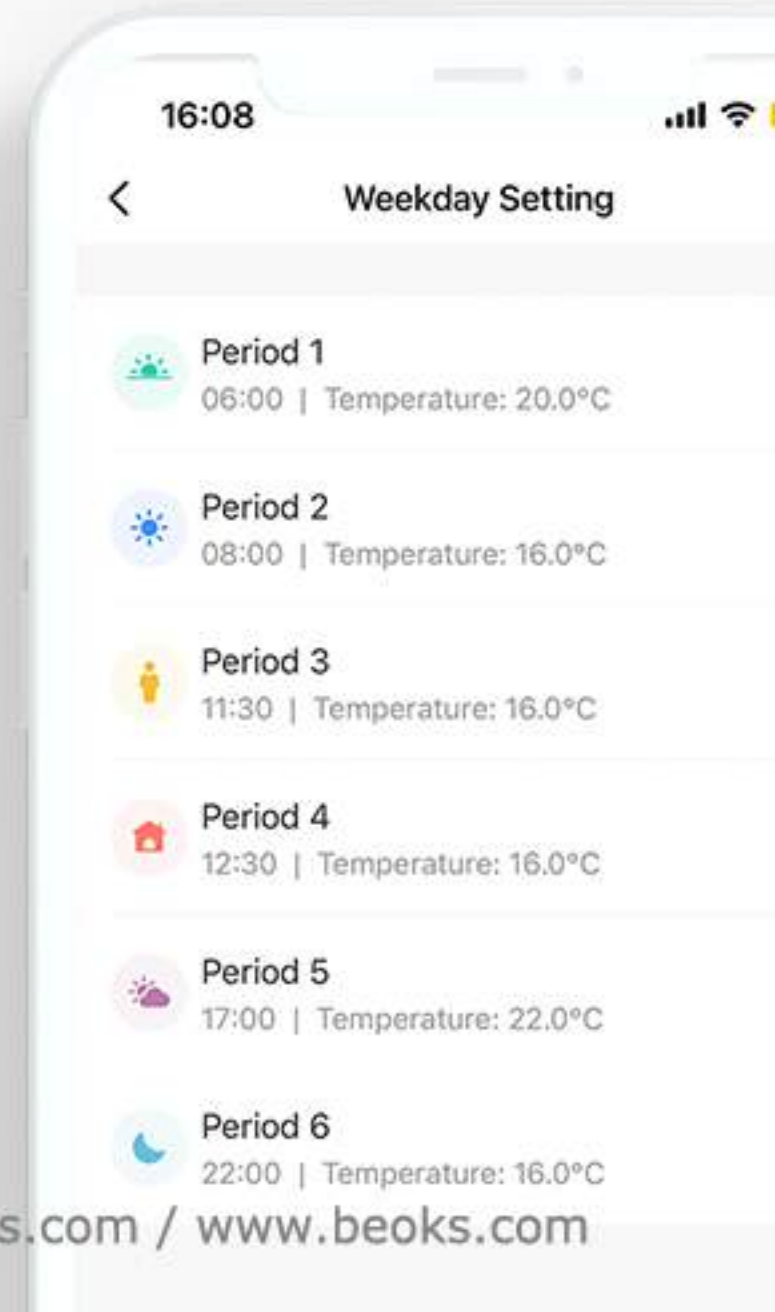
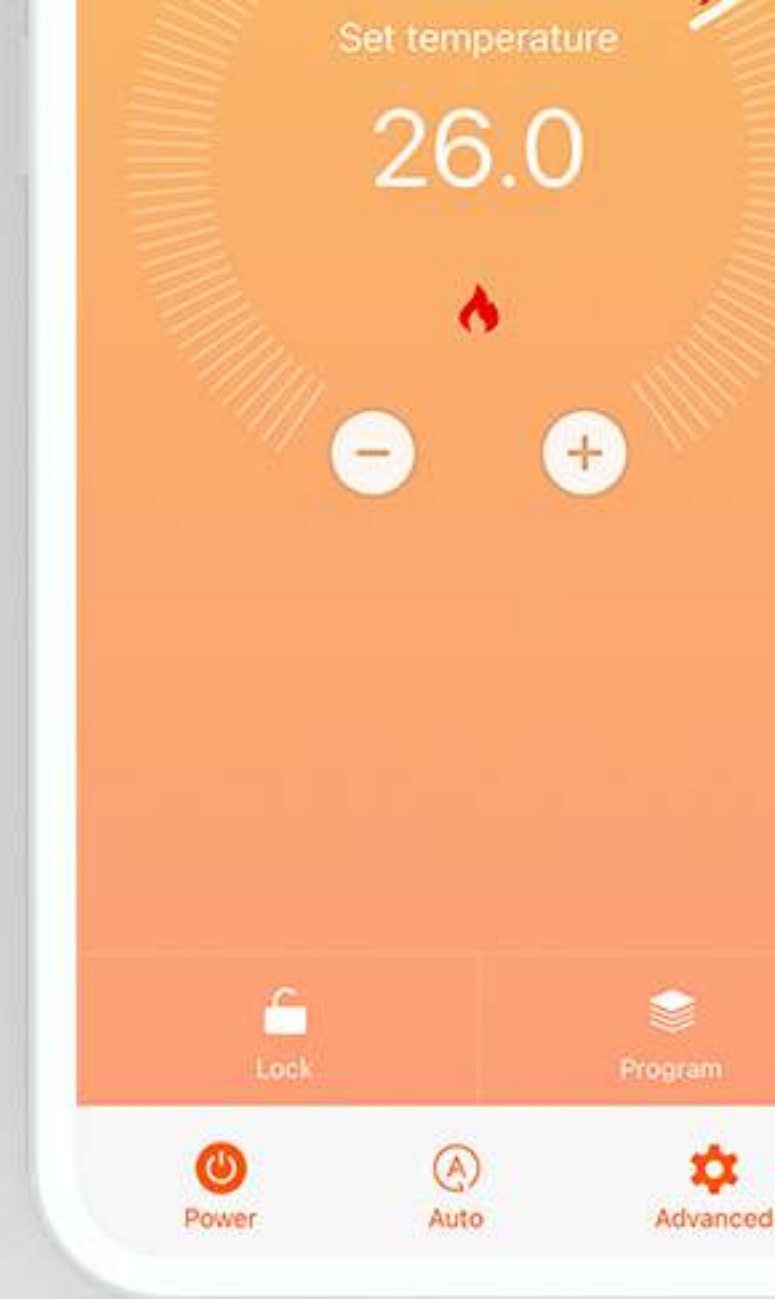
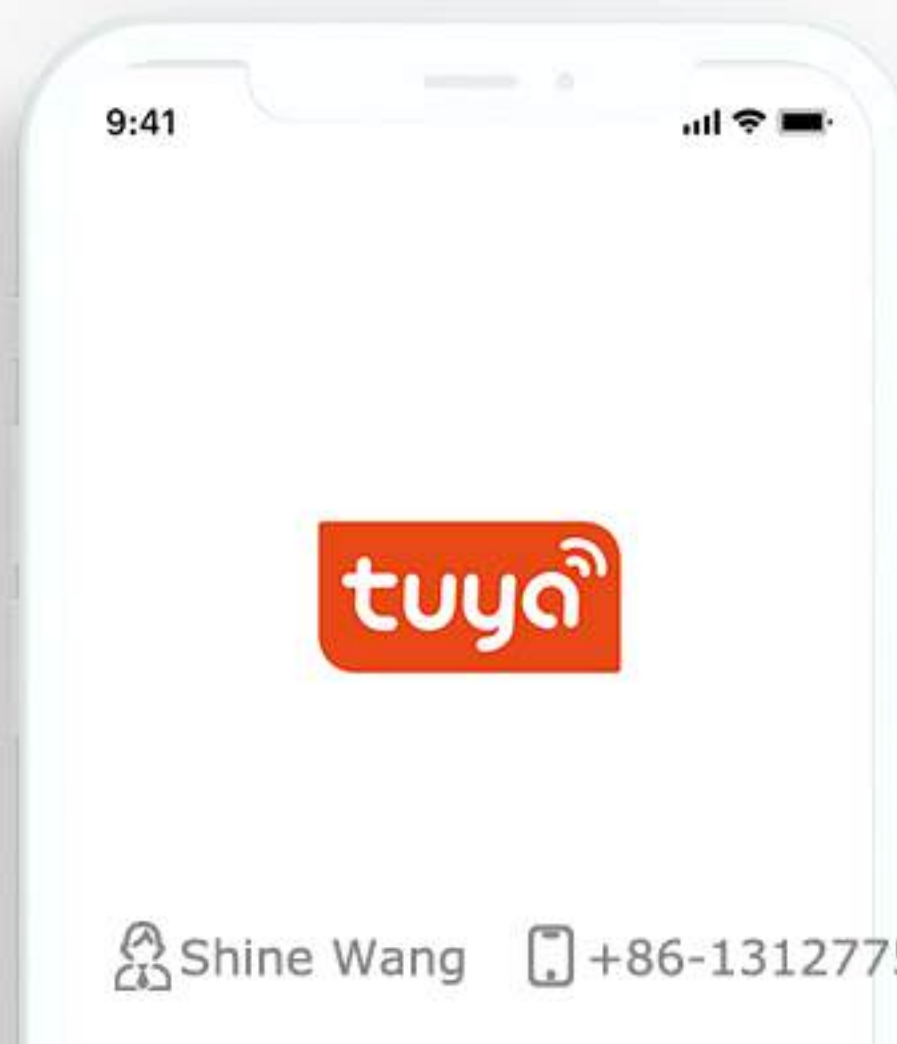


Constant temperature

The temperature hysteresis can be set to a minimum of 0.5°C, effectively preventing indoor temperature differences.

Individual functions may vary depending on the model, please refer the product introduction page for details.

Thermostat App Interface



Gas Boiler Thermostat

There are two types of gas boiler thermostats, wired and wireless.

Wired Thermostat for Gas Boiler



Wireless RF Thermostat for Gas Boiler



Wired Thermostat for Gas Boiler





TDS72-WPB

☞ P23



TDS75-WPB

☞ P23



TGT79-WPB

☞ P23



TC38-WPB

☞ P25



BOT-323W

☞ P26



BOT-313W

☞ P27



BOT-R6W

☞ P28



BOT-W306

☞ P29



BOT-R9V-WIFI

☞ P30

Wireless Thermostat for Gas Boiler



BOT-R7X

☞ P32



BOT-306RF-WIFI

☞ P33



BOT-X306

☞ P33



BOT-R6X

☞ P35

Gas Boiler Thermostat

There are two types of gas boiler thermostats, wired and wireless.

Wired

Thermostat for Gas Boiler

The thermostat is connected directly to the boiler.

Gas boiler with dry contact

⚡ AC 230 V



Passive connection

Model No.
TOL47-WPB



86x86x14mm. Frosted case with large anti-reflective LCD screen. 5 mechanical keys.

Work with Tuya apps | iOS & Android

Support smart speakers



Technical Data

Power supply
AC100~240V; 50/60Hz

Load current
3A

External material
PC+ABS (flame retardant)

Working environment
-5~50°C

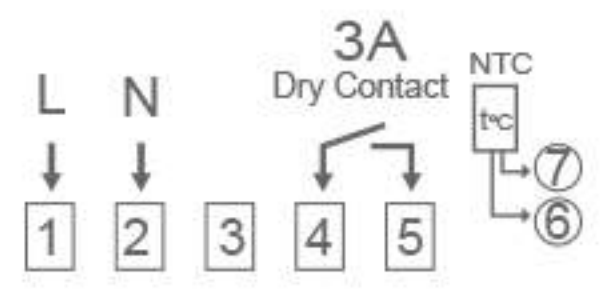
Set temp. range
5~95°C (default 60°C)

Temperature hysteresis
±0.5~±9.9°C Adjustable (default ±1°C)

Temperature sensor
NTC

Wiring Diagram

For Gas Boiler



Suitable for standard 86mm junction box or European 60mm box.

Selection Table

Model	Power Supply	Application	Remote Control	Additional
	AC 100~240V	Gas Boiler	Wi-Fi	External Sensor
TOL47-WPB	✓	✓	✗	✗
TOL47-WIFI-WPB	✓	✓	✓	✗

Model No.

TGM50-WPB

86x86x12.5mm. Frosted one-piece body with touch keys.

Work with Tuya apps   | iOS & Android

 **zigbee** | Zigbee Model Optional

Support smart speakers   



TGM50-WPB



TGM50B-WPB



Special Feature



Open-window Detection

This thermostat stops heating when there is a sudden drop in room temperature to minimize wasted energy due to open windows.



Technical Data

Power supply
AC100~240V; 50/60Hz

Load current
3A

External material
PC+ABS (flame retardant)

Working environment
-5~50°C

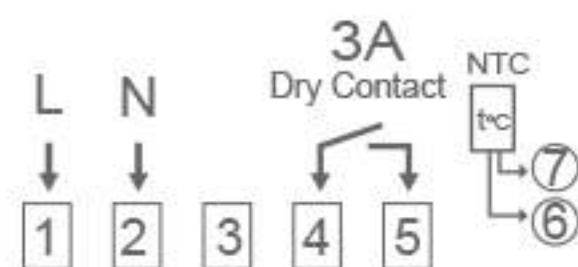
Set temp. range
5~95°C (default 60°C)

Temperature hysteresis
±0.5~±9.9°C Adjustable
(default ±1°C)

Temperature sensor
NTC

Wiring Diagram

For Gas Boiler




Suitable for standard 86mm junction box or European 60mm box.

Selection Table

Model	Power Supply	Application	Recmote Control		Additional
	AC 100~240V		Gas Boiler	Wi-Fi	
TGM50-WPB	✓	✓	✗	✗	✗
TGM50-WIFI-WPB	✓	✓	✓	✗	✗
TGM50-ZB-WPB	✓	✓	✗	✓	✗
TGM50B-WPB	✓	✓	✗	✗	✗
TGM50B-WIFI-WPB	✓	✓	✓	✗	✗
TGM50B-ZB-WPB	✓	✓	✗	✓	✗

TGP5 Series Boiler Thermostats

Work with Tuya apps   | iOS & Android

Support smart speakers   

Technical Data

Power supply
AC100~240V; 50/60Hz

Load current
3A

External material
PC+ABS (flame retardant)

Working environment
-5~50°C

Set temp. range
5~95°C (default 60°C)

Temperature hysteresis
±0.5~±9.9°C Adjustable
(default ±1°C)

Temperature sensor
NTC



Wiring Diagram

For Gas Boiler



Suitable for standard
86mm junction box or
European 60mm box.



TGP53-WPB



TGP508-WPB



Model No.
TGP53-WPB



86x86x13mm.

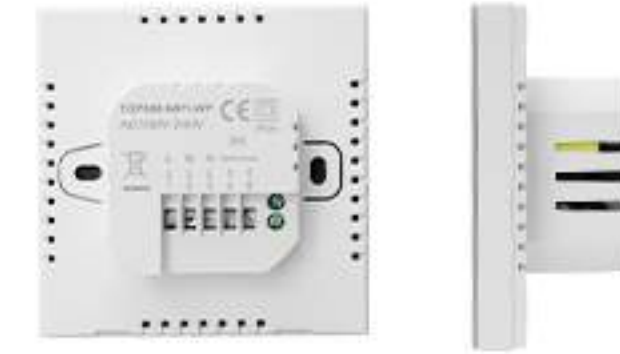
Glass screen, 3 subtle shiny silver physical buttons with icons that light up when woken up.

Selection Table

Model	Power Supply	Application	Recmote Control	Additional
	AC 100~240V	Gas Boiler	Wi-Fi	External Sensor
TGP53-WPB	✓	✓	✗	✗
TGP53-WIFI-WPB	✓	✓	✓	✗



Model No.
TGP508-WPB



86x86x14mm.

3 vertically distributed touch keys.

Selection Table

Model	Power Supply	Application	Recmote Control	Additional
	AC 100~240V	Gas Boiler	Wi-Fi	External Sensor
TGP508-WPB	✓	✓	✗	✗
TGP508-WIFI-WPB	✓	✓	✓	✗

Model No.

TGP51G-WPB

86x86x13mm. Glass screen, 4 touch keys with silver icons.

Work with Tuya apps or BEOK Home    | iOS & Android

Support smart speakers   



Technical Data

Power supply
AC200~240V; 50/60Hz

Load current
3A

External material
PC+ABS (flame retardant)

Working environment
-5~50°C

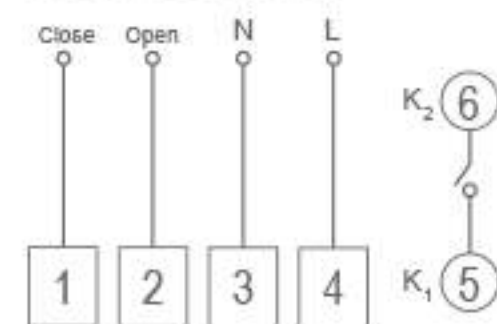
Set temp. range
5~95°C (default 60°C)


Temperature hysteresis
±0.5~±9.9°C Adjustable
(default ±1°C)

Temperature sensor
NTC

Wiring Diagram

For Gas Boiler




Suitable for standard 86mm junction box or European 60mm box.

Selection Table

Model	Power Supply	Application	Recmote Control	Additional
	AC 200~240V	Gas Boiler	Wi-Fi	External Sensor
TGP51G-WPB	✓	✓	✗	✗
TGP51G-WIFI-WPB	✓	✓	✓	✗

Model No.

TGW60-WPB

86x86x12.5mm. LCD glass display with touch keys.
2 colors optional.

Work with Tuya apps



iOS & Android

Support smart speakers



TGW60W-WPB



TGW60B-WPB



Technical Data

Power supply
AC100~240V; 50/60Hz

Load current
3A

External material
PC+ABS (flame retardant)

Working environment
-5~50°C

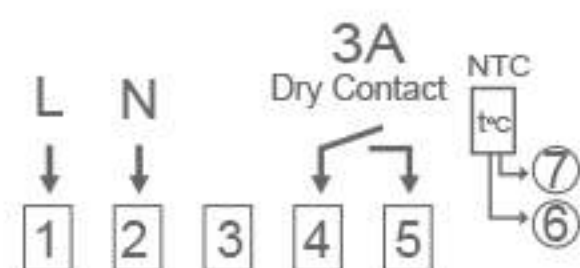
Set temp. range
5~95°C (default 60°C)

Temperature hysteresis
±0.5~±9.9°C Adjustable
(default ±1°C)

Temperature sensor
NTC

Wiring Diagram

For Gas Boiler




Suitable for standard 86mm junction box or European 60mm box.

Selection Table

Model	Power Supply	Application	Remote Control	Additional
	AC 100~240V	Gas Boiler	Wi-Fi	External Sensor
TGW60W-WPB	✓	✓	✗	✗
TGW60W-WIFI-WPB	✓	✓	✓	✗
TGW60B-WPB	✓	✓	✗	✗
TGW60B-WIFI-WPB	✓	✓	✓	✗

TDR8 Series Gas Boiler Thermostats

Work with Tuya apps  | iOS & Android

iOS & Android

Support smart speakers



Technical Data

Power supply

AC100~240V; 50/60Hz

Load current

3A

External material

PC+ABS (flame retardant)

Working environment

-5~50°C

Set temp. range

5~95°C (default 60°C)

Temperature hysteresis

±0.5~±9.9°C Adjustable (default ±1°C)

Temperature sensor

NTC

Wiring Diagram

For Gas Boiler



Suitable for standard 86mm junction box or European 60mm box.



TGR85-WPB



TDR83-WPB



TGR86-WPB



TDR89-WPB

Model No. **TGR85-WPB** 86x90x14mm.
Glass mirror surface with touch keys.

 Zigbee Model Optional



Selection Table

Model	Power Supply	Application	Recmote Control		Additional
	AC 100~240V		Gas Boiler	Wi-Fi	Zigbee
TGR85-WPB	✓	✓	✗	✗	✗
TGR85-WIFI-WPB	✓	✓	✓	✗	✗
TGR85-ZB-WPB	✓	✓	✗	✓	✗

Model No. **TDR83-WPB** 86x86x18mm.
Touch keys. 2 colors optional.



Selection Table

Model	Power Supply	Application	Recmote Control	Additional
	AC 100~240V		Gas Boiler	Wi-Fi
TDR83W-WPB	✓	✓	✗	✗
TDR83W-WIFI-WPB	✓	✓	✓	✗
TDR83B-WPB	✓	✓	✗	✗
TDR83B-WIFI-WPB	✓	✓	✓	✗

Model No. **TGR86-WPB** 86x90x14mm.
Glass mirror surface with touch keys.



Selection Table

Model	Power Supply	Application	Recmote Control	Additional
	AC 100~240V	Gas Boiler	Wi-Fi	External Sensor
TGR86-WPB	✓	✓	✗	✗
TGR86-WIFI-WPB	✓	✓	✓	✗

Model No. **TDR89-WPB** 86x86x14mm. 2 colors optional. TDR89W: white backlight with silver touch keys. TDR89B: negative display with touch keys that glows red when woken up.

 **zigbee** | Zigbee Model Optional



TDR89W-WPB



TDR89B-WPB



Selection Table

Model	Power Supply	Application	Recmote Control		Additional
	AC 100~240V	Gas Boiler	Wi-Fi	Zigbee	External Sensor
TDR89W-WPB	✓	✓	✗	✗	✗
TDR89W-WIFI-WPB	✓	✓	✓	✗	✗
TDR89W-ZB-WPB	✓	✓	✗	✓	✗
TDR89B-WPB	✓	✓	✗	✗	✗
TDR89B-WIFI-WPB	✓	✓	✓	✗	✗
TDR89B-ZB-WPB	✓	✓	✗	✓	✗

Model No.

TS4-WPB

86x86x14mm. 2 colors optional.
 TS4W: Glossy white touch key area.
 TS4G: Frosted gray touch key area.

Work with Tuya apps  | iOS & Android

Support smart speakers   



TS4W-WPB



TS4G-WPB



Technical Data

Power supply
 AC100~240V; 50/60Hz

Load current
 3A

External material
 PC+ABS (flame retardant)

Working environment
 -5~50°C

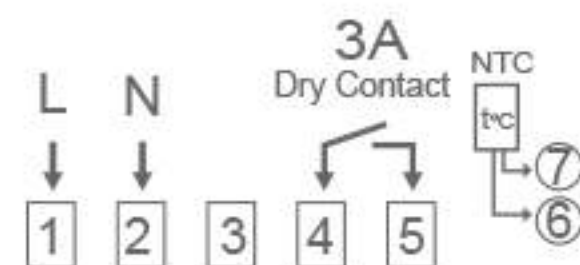
Set temp. range
 5~95°C (default 60°C)


Temperature hysteresis
 ±0.5~±9.9°C Adjustable
 (default ±1°C)

Temperature sensor
 NTC

Wiring Diagram

For Gas Boiler









 Suitable for standard
 86mm junction box or
 European 60mm box.

Selection Table

Model	Power Supply	Application	Recmote Control	Additional
	AC 100~240V	Gas Boiler	Wi-Fi	External Sensor
TS4W-WPB	✓	✓	✗	✗
TS4W-WIFI-WPB	✓	✓	✓	✗
TS4G-WPB	✓	✓	✗	✗
TS4G-WIFI-WPB	✓	✓	✓	✗

TDS Series Gas Boiler Thermostats

Work with Tuya apps or BEOK Home    | iOS & Android

Support smart speakers  

Technical Data

Power supply
AC200~240V; 50/60Hz

Load current
3A

External material
PC+ABS (flame retardant)

Working environment
-5~50°C

Set temp. range
5~95°C (default 60°C)

Temperature hysteresis
±0.5~±9.9°C Adjustable
(default ±1°C)

Temperature sensor
NTC



Wiring Diagram

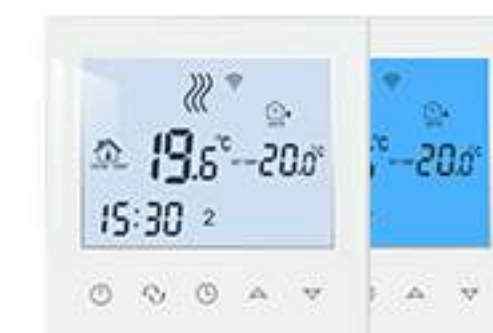
For Gas Boiler



Suitable for standard
86mm junction box or
European 60mm box.



TGT70-WPB



TDS21-WPB



TDS23-WPB



BOT-313WIFI

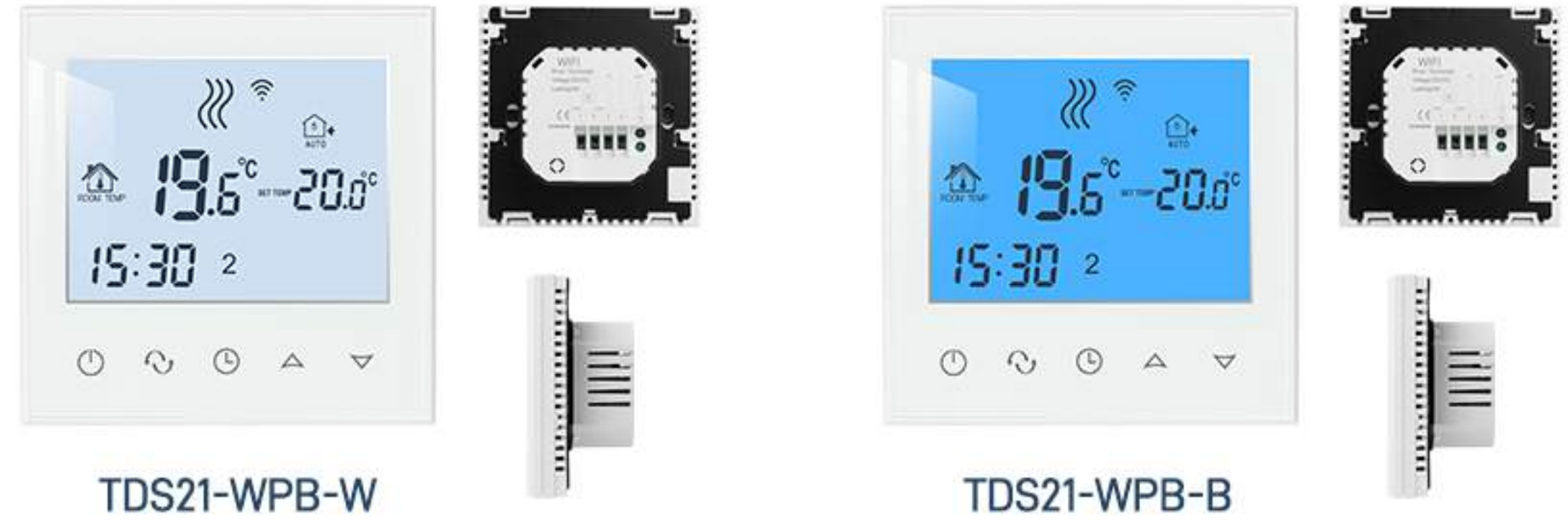
Model No. **TGT70-WPB** 86x86x16mm.
Glass screen with touch keys.



Selection Table

Model	Power Supply	Application	Recmote Control	Additional
	AC 200~240V	Gas Boiler	Wi-Fi	External Sensor
TGT70-WPB	✓	✓	✗	✗
TGT70-WIFI-WPB	✓	✓	✓	✗

Model No. **TDS21-WPB** 86x86x16mm.
Touch keys. 2 backlight colors optional



Selection Table

Model	Power Supply	Application	Recmote Control	Additional
	AC 200~240V	Gas Boiler	Wi-Fi	External Sensor
TDS21-WPB-W	✓	✓	✗	✗
TDS21-WIFI-WPB-W	✓	✓	✓	✗
TDS21-WPB-B	✓	✓	✗	✗
TDS21-WIFI-WPB-B	✓	✓	✓	✗

Model No.

TDS23-WPB

86x86x16mm.
Touch keys. 2 backlight colors optional.



TDS23-WPB-W



TDS23-WPB-B



Selection Table

Model	Power Supply	Application	Recmote Control	Additional
	AC 200~240V	Gas Boiler	Wi-Fi	External Sensor
TDS23-WPB-W	✓	✓	✗	✗
TDS23-WIFI-WPB-W	✓	✓	✓	✗
TDS23-WPB-B	✓	✓	✗	✗
TDS23-WIFI-WPB-B	✓	✓	✓	✗

Model No.

BOT-313WIFI

86x86x16mm.
5 Mechanical keys. 2 backlight colors optional.



BOT-313WIFI-WH



BOT-313WIFI-BL






Selection Table

Model	Power Supply	Application	Recmote Control	Additional
	AC 200~240V	Gas Boiler	Wi-Fi	External Sensor
BOT-313WIFI-WH	✓	✓	✓	✗
BOT-313WIFI-BL	✓	✓	✓	✗

TDS7 Series Gas Boiler Thermostats

Work with Tuya apps   | iOS & Android

Support smart speakers   

Technical Data

Power supply
AC200~240V; 50/60Hz

Load current
3A

External material
PC+ABS (flame retardant)

Working environment
-5~50°C

Set temp. range
5~95°C (default 60°C)

Temperature hysteresis
±0.5~±9.9°C Adjustable
(default ±1°C)

Temperature sensor
NTC

Wiring Diagram

For Gas Boiler



Suitable for standard 86mm junction box or European 60mm box.



TDS72-WPB



TDS75-WPB



TGT79-WPB

Model No.

TDS72-WPB

86x86x13mm.

Frosted tactile shell with mechanical keys.



Selection Table

Model	Power Supply	Application	Recmote Control	Additional
	AC 200~240V	Gas Boiler	Wi-Fi	External Sensor
TDS72-WPB	✓	✓	✗	✗
TDS72-WIFI-WPB	✓	✓	✓	✗

Model No.

TDS75-WPB

86x86x15mm.

Glossy panel with touch keys.



Selection Table

Model	Power Supply	Application	Recmote Control	Additional
	AC 200~240V	Gas Boiler	Wi-Fi	External Sensor
TDS75-WPB	✓	✓	✗	✗
TDS75-WIFI-WPB	✓	✓	✓	✗

Model No.

TGT79-WPB

86x86x15mm.

Glossy panel with touch keys. Negative display screen.



Selection Table

Model	Power Supply	Application	Recmote Control	Additional
	AC 200~240V	Gas Boiler	Wi-Fi	External Sensor
TGT79-WPB	✓	✓	✗	✗
TGT79-WIFI-WPB	✓	✓	✓	✗

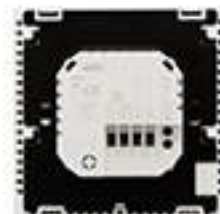
Model No.

TC38-WPB

86x86x15mm. 2 colors optional. White: glossy panel with silver touch keys. Black: dark mirrored panel with silver touch keys.

Work with Tuya apps  | iOS & Android

Support smart speakers   



TCW38-WPB

TCB38-WPB



Technical Data

Power supply
AC200~240V; 50/60Hz

Load current
3A

External material
PC+ABS (flame retardant)

Working environment
-5~50°C

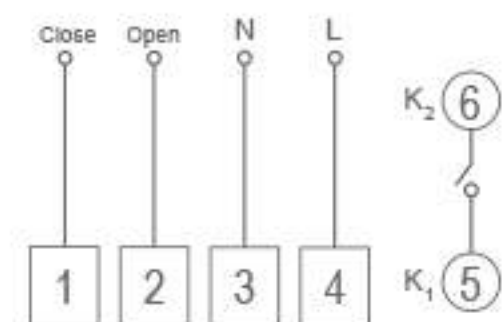
Set temp. range
5~95°C (default 60°C)

Temperature hysteresis
±0.5~±9.9°C Adjustable
(default ±1°C)

Temperature sensor
NTC

Wiring Diagram

For Gas Boiler




Suitable for standard 86mm junction box or European 60mm box.

Selection Table

Model	Power Supply	Application	Remote Control	Additional
	AC 200~240V	Gas Boiler	Wi-Fi	External Sensor
TCW38-WPB / TCB38-WPB	✓	✓	✗	✗
TCW38-WIFI-WPB / TCB38-WIFI-WPB	✓	✓	✓	✗

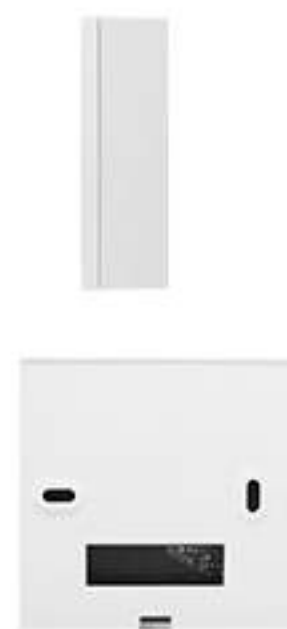
Model No.

BOT-323W

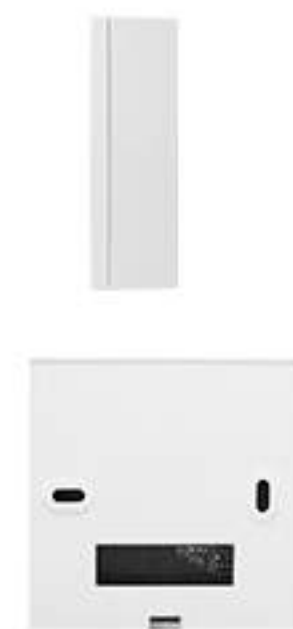
86x86x27mm. Touch keys. 2 backlight colors optional.



BOT-323W-WH



BOT-323W-BL



Technical Data

Power Supply
1.5V×2 (2 sections of 1.5V AA battery)

Current Load
3A

Temp. control accuracy
±1°C

Setting temp. range
5-99°C (factory default 5-35°C)

Limiting temp. range
5-99°C

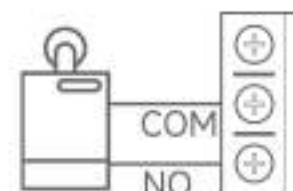
Power Consumption
<0.15W

Temperature hysteresis
±0.5~±9.9°C Adjustable (default ±1°C)

Temperature sensor
NTC

Wiring Diagram

For Gas Boiler



Screw mounted to wall, no mounting box required

Selection Table

Model	Power Supply	Application	Recmote Control	Additional
	2 sections of 1.5V AA battery	Gas Boiler	Wi-Fi	External Sensor
BOT-323W-WH	✓	✓	✗	✗
BOT-323W-BL	✓	✓	✗	✗

Model No.

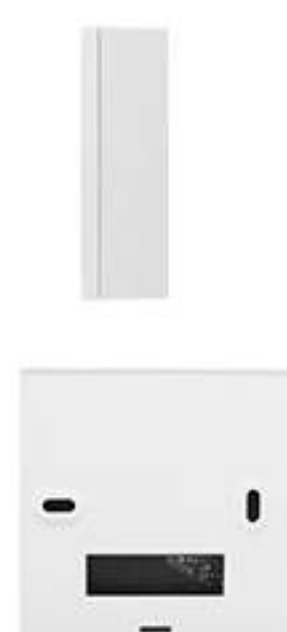
BOT-313W



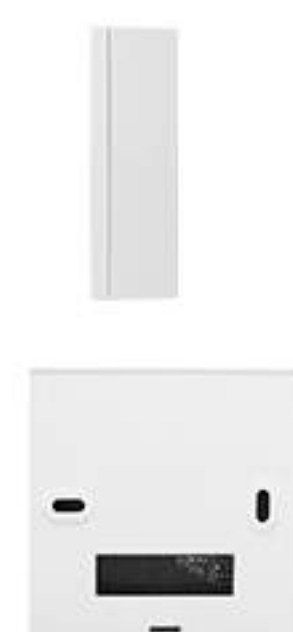
86x86x27mm. 5 mechanical keys. 2 backlight colors optional.



BOT-313W-WH



BOT-313W-BL



Technical Data

Power Supply
1.5V×2 (2 sections of 1.5V AA battery)

Current Load
3A

Temp. control accuracy
±1°C

Setting temp. range
5-99°C (factory default 5-35°C)

Limiting temp. range
5-99°C

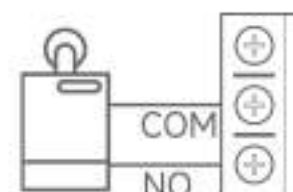
Power Consumption
<0.15W

Temperature hysteresis
±0.5~±9.9°C Adjustable (default ±1°C)

Temperature sensor
NTC

Wiring Diagram

For Gas Boiler



Screw mounted to wall, no mounting box required

Selection Table

Model	Power Supply	Application	Recmote Control	Additional
	2 sections of 1.5V AA battery	Gas Boiler	Wi-Fi	External Sensor
BOT-313W-WH	✓	✓	✗	✗
BOT-313W-BL	✓	✓	✗	✗

Model No.

BOT-R6W



86x86x24mm. Touch keys.



Technical Data

Power supply
Three 1.5V AA batteries

Current load
3A (Resistive)

Temperature sensor
NTC

Power consumption
<170 uW

Temperature accuracy
±1°C

Temperature hysteresis
±0.5~±9.9°C Adjustable (default ±1°C)

Wiring Diagram

For Gas Boiler



 Screw mounted to wall, no mounting box required

Selection Table

Model	Power Supply	Application	Remote Control	Additional
	3 sections of 1.5V AA battery	Gas Boiler	Wi-Fi	External Sensor
BOT-R6W	✓	✓	✗	✗

Model No.

BOT-W306



130x91x21mm.
Touch keys.



Technical Data

Power Supply
Two 1.5V AA batteries

Current Load
3A

Power Consumption
<0.15W

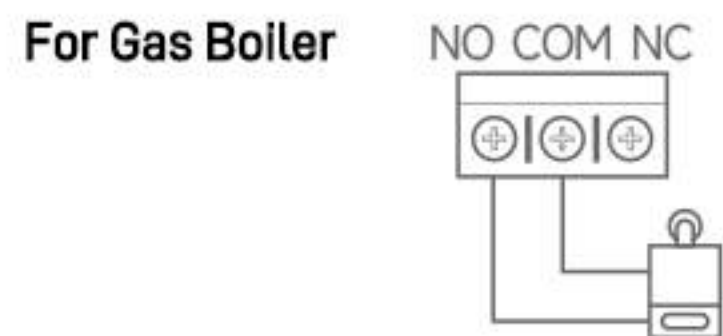
Setting temp. range
5-35°C

Temp. control accuracy
0.5-5°C

Sensing Element
NTC

Temperature hysteresis
±0.5~±9.9°C Adjustable
(default ±1°C)

Wiring Diagram



Screw mounted to wall,
no mounting box required

Selection Table

Model	Power Supply	Application	Recmote Control	Additional
	2 sections of 1.5V AA battery	Gas Boiler	Wi-Fi	External Sensor
BOT-W306	✓	✓	✗	✗

Model No.

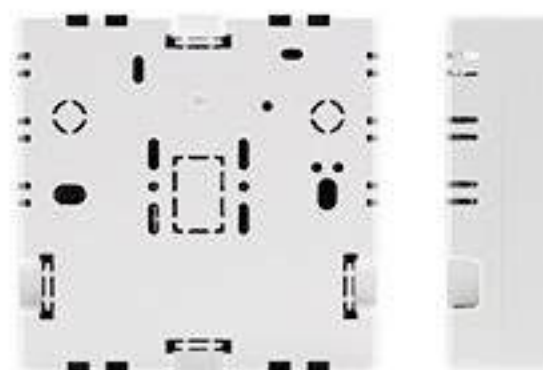
BOT-R9V-WIFI



86x86x24mm.
Touch keys.

Work with Tuya apps | iOS & Android

Support smart speakers



Technical Data

Power Supply
Two 1.5V AA batteries

Current Load
3A

Power Consumption
<0.15W

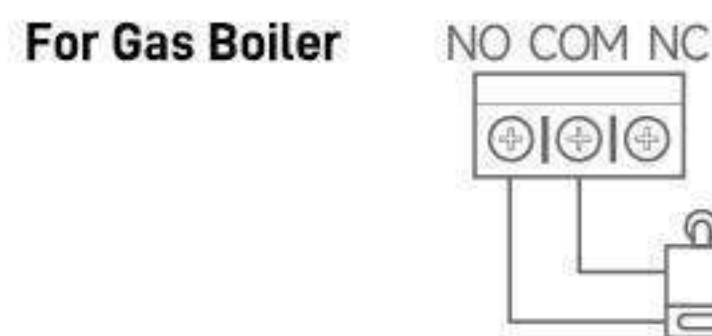
Setting temp. range
5-99°C

Temp. control accuracy
0.5-5°C

Sensing Element
NTC

Temperature hysteresis
±0.5~±9.9°C Adjustable
(default ±1°C)

Wiring Diagram



Screw mounted to wall,
no mounting box required

Selection Table

Model	Power Supply	Application	Recmote Control	Additional
	3 sections of 1.5V AA battery	Gas Boiler	Wi-Fi	External Sensor
BOT-R9V-WIFI	✓	✓	✓	✗

Wireless Thermostat for Gas Boiler

The receiver is connected to the boiler and the thermostat is wirelessly connected to the receiver via RF.

Gas Boiler Thermostat

There are two types of gas boiler thermostats, wired and wireless.

Gas boiler
with dry contact

⚡ AC 230V



Passive
connection

3 Batteries



Model No.

BOT-R7-X



Thermostat 118x86x24mm. Receiver 94x85x27mm.
Touch keys and knob adjustment.

Work with Tuya apps



iOS & Android

Support smart speakers



BOT-R7W-X



BOT-R7B-X



Mounting Options



Can be wall-mounted or placed on a tabletop.

Technical Data

Power Supply
Thermostat: 1.5V×3 (3 sections of 1.5V AA battery) and USB
Receiver: 110~220 VAC

Current Load
3A

Temp. control accuracy
±1°C

Setting temp. range
5-99°C (factory default 5-35°C)

Limiting temp. range
5-99°C

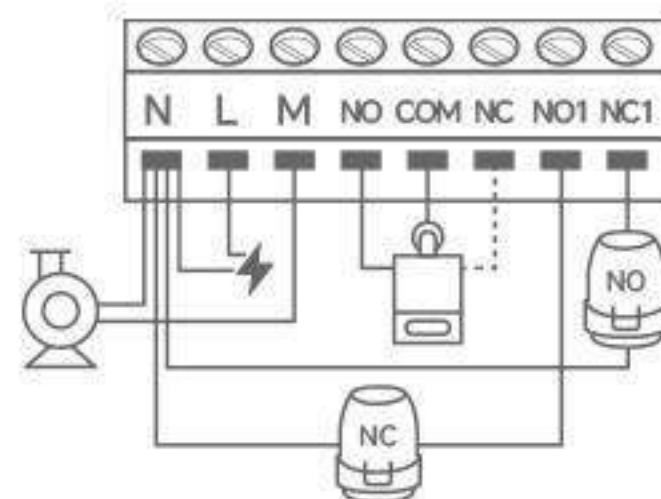
Power Consumption
<0.15W

Temperature hysteresis
±0.5~±9.9°C Adjustable (default ±1°C)

Sensing Element
NTC

Wiring Diagram of the Receiver

For Gas Boiler



Selection Table

Model	Power Supply			Application	Remote Control	Additional
	<Thermostat> USB type C (5V)	<Thermostat> 3X 1.5V AA battery	<Receiver> AC 230V			
BOT-R7W-X	✓	✓	✓	Gas Boiler	Wi-Fi	External Sensor
BOT-R7B-X	✓	✓	✓	✓	✗	✗
BOT-R7W-X-WIFI	✓	✓	✓	✓	✓	✗
BOT-R7B-X-WIFI	✓	✓	✓	✓	✓	✗

BOT-306 Series Gas Boiler Thermostats



Model No.
BOT-306RF-WIFI 

Thermostat: 130x100x100mm (Dimensions after installation with holder). Touch keys.
Receiver: 85x85x28mm.

Work with Tuya apps or BEOK Home
 | iOS & Android

Support smart speakers 



Model No.
BOT-X306 

Thermostat: 130x91x21mm. Touch keys.
Receiver: 85x85x28mm.





Technical Data

Working Voltage
 Thermostat: USB type C (5V)
 Receiver: 220V

Current Load
 3A

Consumption
 <0.3W

Temp. control accuracy
 0.5-5°C

Setting temp. range
 5-35°C



Technical Data

Working Voltage
 Thermostat: Two 1.5V AA batteries.
 Receiver: 220V

Current Load
 3A

Consumption
 <0.3W

Temp. control accuracy
 0.5-5°C

Setting temp. range
 5-35°C

Selection Table

Model	Power Supply		Application	Recmote Control	Additional
	<Thermostat> USB type C (5V)	<Receiver> AC 230V			
BOT-306RF-WIFI	✓	✓	✓	✓	✗

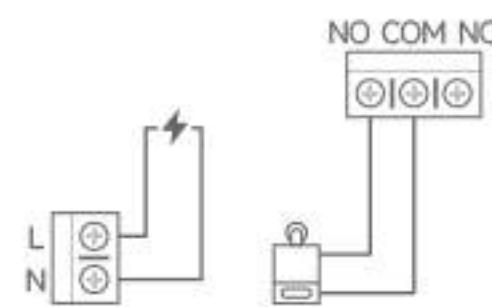
Selection Table

Model	Power Supply		Application	Recmote Control
	<Thermostat> 2 X 1.5V AA battery	<Receiver> AC 230V		
BOT-X306	✓	✓	✓	✗

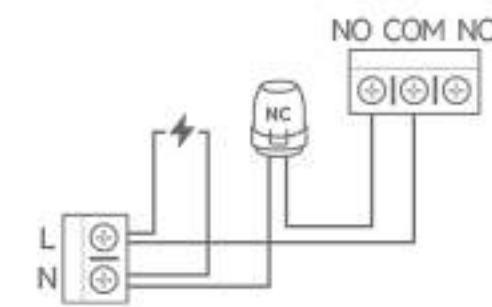


Wiring Diagram of the Receiver

Connect to Boiler



Connect to Actuator



Screw mounted to wall,
no mounting box required

BEOK Gas Boiler Thermostat Wireless



Mounting Options



Can be wall-mounted or placed on a tabletop.



Model No.

BOT-R6X



Thermostat: 86x102x78mm (Dimensions after installation with holder). Touch keys. Receiver: 94x85x27mm.

Work with Tuya apps | iOS & Android

Support smart speakers

Technical Data

Power supply

Thermostat: three 1.5V AA batteries or USB powered (Type C)

Receiver: 110~220 VAC

Current load

3A (Resistive)

Temperature sensor

NTC

Temperature accuracy

±1°C

Power consumption

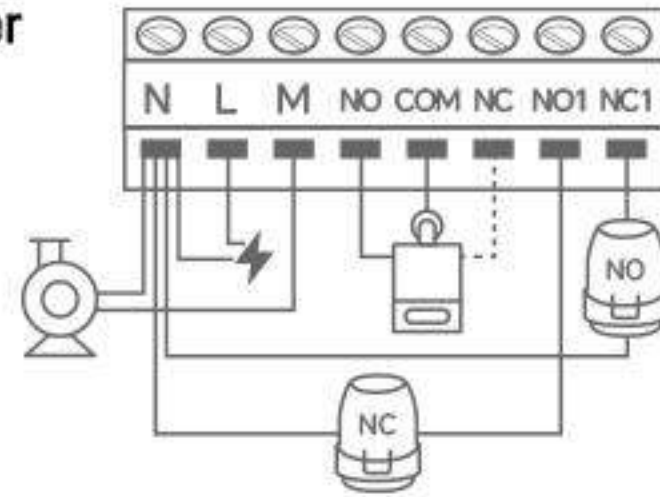
<170 μW

Temperature hysteresis

±0.5~±9.9°C Adjustable (default ±1°C)

Wiring Diagram of the Receiver

For Gas Boiler



Selection Table

Model	Power Supply			Application	Remote Control
	<Thermostat> USB type C (5V)	<Thermostat> 3 X 1.5V AA battery	<Receiver> AC 230V		
BOT-R6X	✓	✓	✓	✓	✗
BOT-R6X-WIFI	✓	✓	✓	✓	✓



Beok Controls

