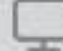


BEOK 2025 CATALOG

Non-WiFi Room Thermostat



 Shine Wang
 +86-13127755172
 shine.wang@beok-controls.com
 www.beok-controls.com
 www.beoks.com

About BEOK

CE RoHS RED EAC

Shanghai Beok Controls Co., Ltd, founded in 2010, has over 10 years experience to integrate the research, development and production of HVAC control system products. We adhere to the strict and practical product requirements, and take a serious and responsible attitude to provide every customer with better products and better services.



BEOK Service



Customize
Program



Customize
App



Design/
Printing



Customize
Product Color



Customize
Package



ODM
Service

Main Functions of BEOK Thermostats



Programmable schedule

Set the temperature for each time of day and make it cycle automatically every day.



Temperature calibration

Calibrate thermostat display to actual room temperature.



Child lock

Lock the keypad when you need it to avoid misuse.



Non-volatile memory

Various current settings of the thermostat can be memorized in case of power failure.



Anti-freeze

Maintains room temperature at 5°C to prevent electronic devices from freezing. Can be turned on or off in the advanced settings.



Adjustable backlight

The brightness of the backlight can be adjusted so that the glare does not affect your rest.



Constant temperature

The temperature hysteresis can be set to a minimum of 0.5°C, effectively preventing indoor temperature differences.

Individual functions may vary depending on the model, please refer the product introduction page for details.

Underfloor Heating Thermostat

Controls include:

- **Electric underfloor heating:** electric heating mat, electric heating film or electric heating cable;
- **Water underfloor heating:** electric valves or actuators.





TS4
P19



TGT70
P20



TDS21
P20



TDS23
P20



TOL313
P20



TDS72
P23



TDS75
P23



TGT79
P23



TC38
P25

Gas Boiler Thermostat

Controls include:

- Wired thermostat for gas boiler
- Wireless thermostat for gas boiler

Wired Thermostat for Gas Boiler



TOL47-WPB
P28



TGM50-WPB
P29



TGP53-WPB
P30



TGP508-WPB
P30



TGP51G-WPB
P32



Wireless Thermostat for Gas Boiler



BOT-R7X
P48



BOT-X306
P49



BOT-R6X
P50

Fan Coil Thermostat

Controls include:

- Thermostat for 2-pipe fan Coil
- Thermostat for 4-pipe fan Coil



TGT70-AC
P52



TDS21-AC
P52



TDS23-AC
P52



TGP51G-AC
P54



TOL43-AC
P55



TOL63R-AC
P56



TOL313-AC
P57



Non-WiFi Thermostat for Underfloor Heating

There are two options for underfloor heating thermostats, for electric heating and for water heating.

For Electric Underfloor Heating



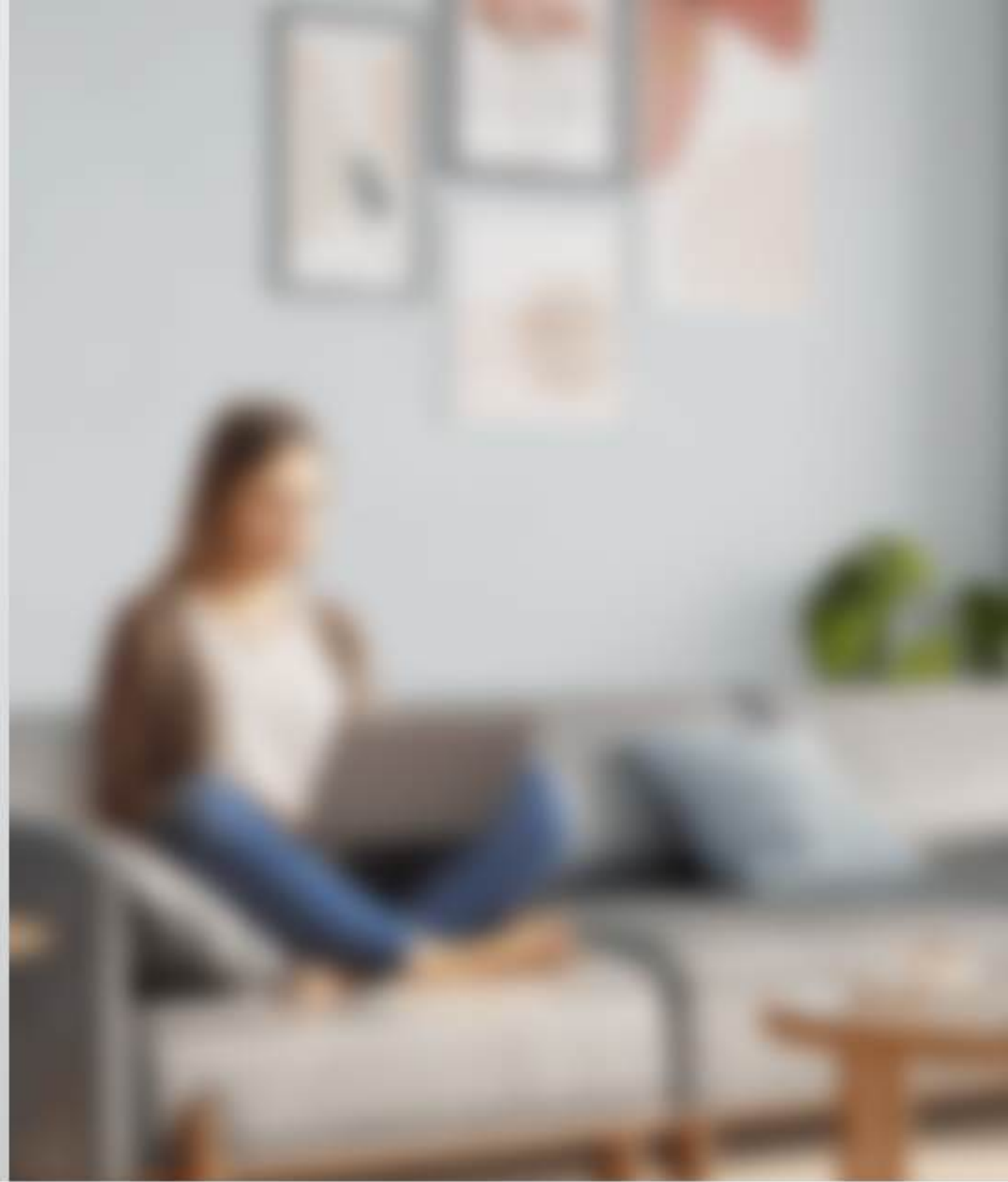
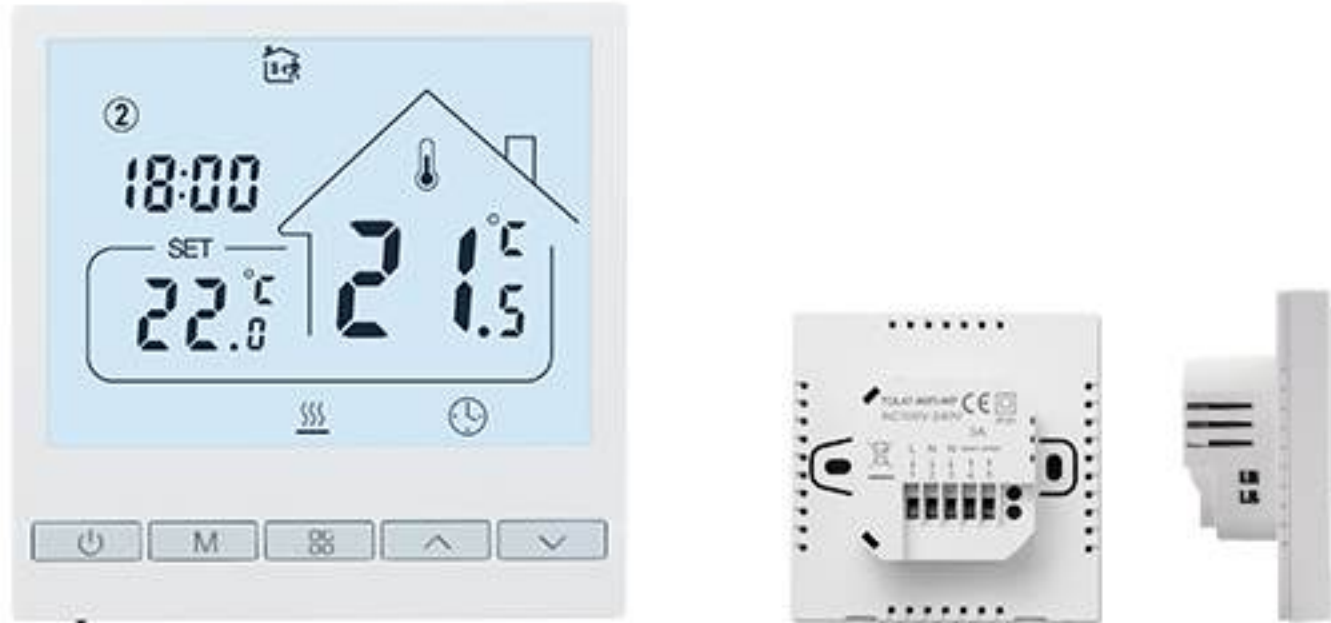
For Water Underfloor Heating



BEOK Underfloor Heating Thermostat

Model No. TOL47

86x86x14mm. Frosted case with large anti-reflective LCD screen. 5 mechanical keys.



Technical Data

Power supply
AC100~240V; 50/60Hz

Load current
Water heater 3A
Electric heater 16A

External material
PC+ABS (flame retardant)

Working environment
-5~50°C

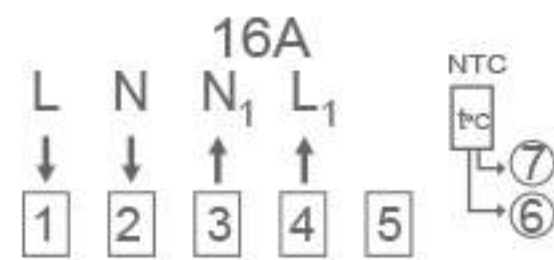
Set temp. range
5~95°C (default 60°C)

Temperature hysteresis
±0.5~±9.9°C Adjustable
(default ±1°C)

Temperature sensor
NTC

Wiring Diagram

For Electric Underfloor Heating



For Water Underfloor Heating



Suitable for standard 86mm junction box or European 60mm box.

Selection Table

Model	Power Supply	Application		Remote Control	Additional
	AC 100~240V	Electric Heating(16A)	Water Heating(3A)	Wi-Fi	External Sensor
TOL47-EP	✓	✓	✗	✗	✓
TOL47-WP	✓	✗	✓	✗	Optional

BEOK Underfloor Heating Thermostat

Model No.
TGM50

86x86x12.5mm. Frosted one-piece body with 4 touch keys. 2 colors optional.



Special Feature



Open-window Detection

This thermostat stops heating when there is a sudden drop in room temperature to minimize wasted energy due to open windows.

Technical Data

Power supply
AC100~240V;
50/60Hz

Load current
Water heater 3A
Electric heater 16A

External material
PC+ABS (flame retardant)

Working environment
-5~50°C

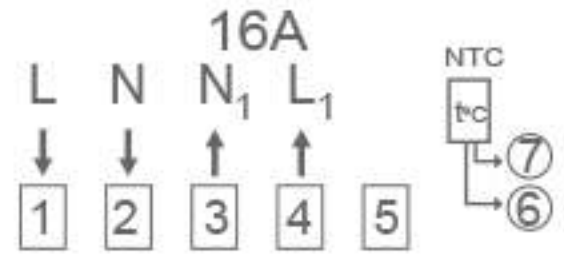
Set temp. range
5~95°C (default 60°C)

Temperature hysteresis
±0.5~±9.9°C Adjustable
(default ±1°C)

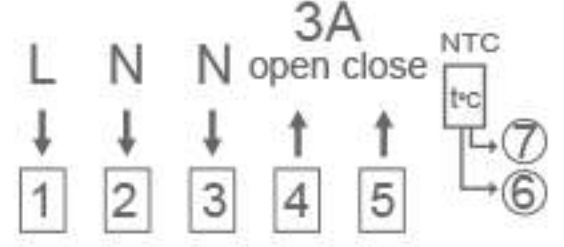
Temperature sensor
NTC

Wiring Diagram

For Electric Underfloor Heating



For Water Underfloor Heating



Suitable for standard 86mm junction box or European 60mm box.

Selection Table

Model	Power Supply	Application		Recmote Control		Additional
	AC 100~240V	Electric Heating(16A)	Water Heating(3A)	Wi-Fi	Zigbee	External Sensor
TGM50-EP / TGM50B-EP	✓	✓	✗	✗	✗	✓
TGM50-WP / TGM50B-WP	✓	✗	✓	✗	✗	Optional

TGP5 Series Thermostats

Technical Data

Power supply
AC100~240V; 50/60Hz

Set temp. range
5~95°C (default 60°C)

Load current
Water heater 3A
Electric heater 16A

Temperature hysteresis
±0.5~±9.9°C Adjustable
(default ±1°C)

External material
PC+ABS (flame retardant)

Temperature sensor
NTC

Working environment
-5~50°C

Wiring Diagram



Suitable for standard 86mm junction box or European 60mm box.



TGP53



TGP508



Model No.
TGP53



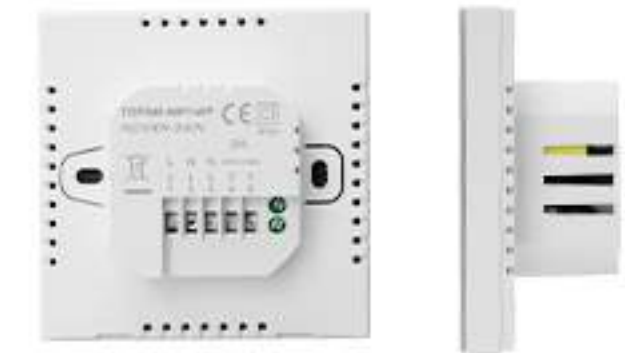
86x86x13mm.
Glass screen, 3 subtle shiny silver physical buttons with icons that light up when woken up.

Selection Table

Model	Power Supply	Application		Recmote Control	Additional
	AC 100~240V	Electric Heating(16A)	Water Heating(3A)	Wi-Fi	External Sensor
TGP53-EP	✓	✓	✗	✗	✓
TGP53-WP	✓	✗	✓	✗	Optional



Model No.
TGP508



86x86x14mm. 3 vertically distributed touch keys.

Selection Table

Model	Power Supply	Application		Recmote Control	Additional
	AC 100~240V	Electric Heating(16A)	Water Heating(3A)	Wi-Fi	External Sensor
TGP508-EP	✓	✓	✗	✗	✓
TGP508-WP	✓	✗	✓	✗	Optional

BEOK Underfloor Heating Thermostat

Model No.
TGP51G

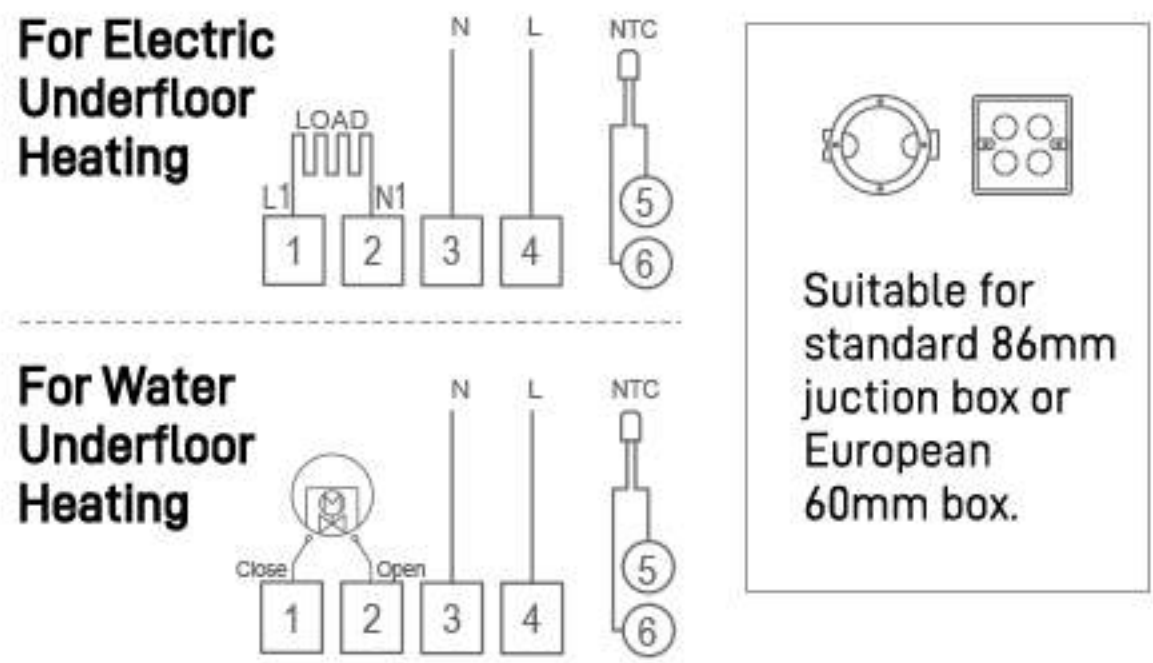
86x86x13mm.
Glass screen, 4 touch keys with silver icons.



Technical Data

- Power supply**
AC200~240V; 50/60Hz
- Load current**
Water heater 3A
Electric heater 16A
- External material**
PC+ABS (flame retardant)
- Working environment**
-5~50°C
- Set temp. range**
5~95°C (default 60°C)
- Temperature hysteresis**
±0.5~±9.9°C Adjustable (default ±1°C)
- Temperature sensor**
NTC

Wiring Diagram



Selection Table

Model	Power Supply	Application		Recmote Control	Additional
	AC 200~240V	Electric Heating(16A)	Water Heating(3A)	Wi-Fi	External Sensor
TGP51G-EP	✓	✓	✗	✗	✓
TGP51G-WP	✓	✗	✓	✗	Optional

BEOK Underfloor Heating Thermostat

Model No.
TGW60

86x86x12.5mm. LCD glass display with touch keys.
2 colors optional.



TGW60W



TGW60B



Technical Data

Power supply
AC100~240V; 50/60Hz

Load current
Water heater 3A
Electric heater 16A

External material
PC+ABS (flame retardant)

Working environment
-5~50°C

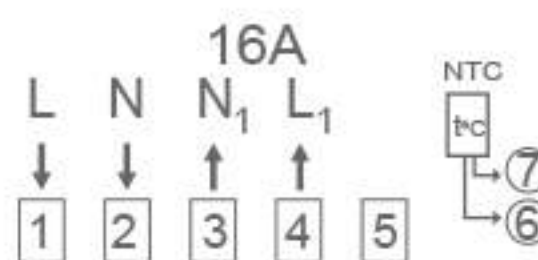
Set temp. range
5~95°C (default 60°C)

Temperature hysteresis
±0.5~±9.9°C Adjustable
(default ±1°C)

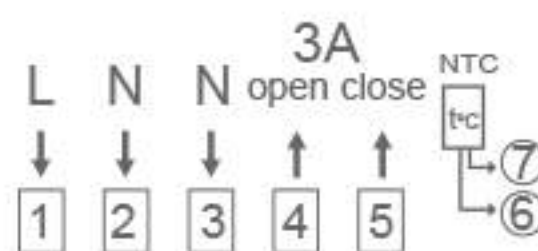
Temperature sensor
NTC

Wiring Diagram

For Electric Underfloor Heating



For Water Underfloor Heating



Suitable for standard 86mm junction box or European 60mm box.

Selection Table

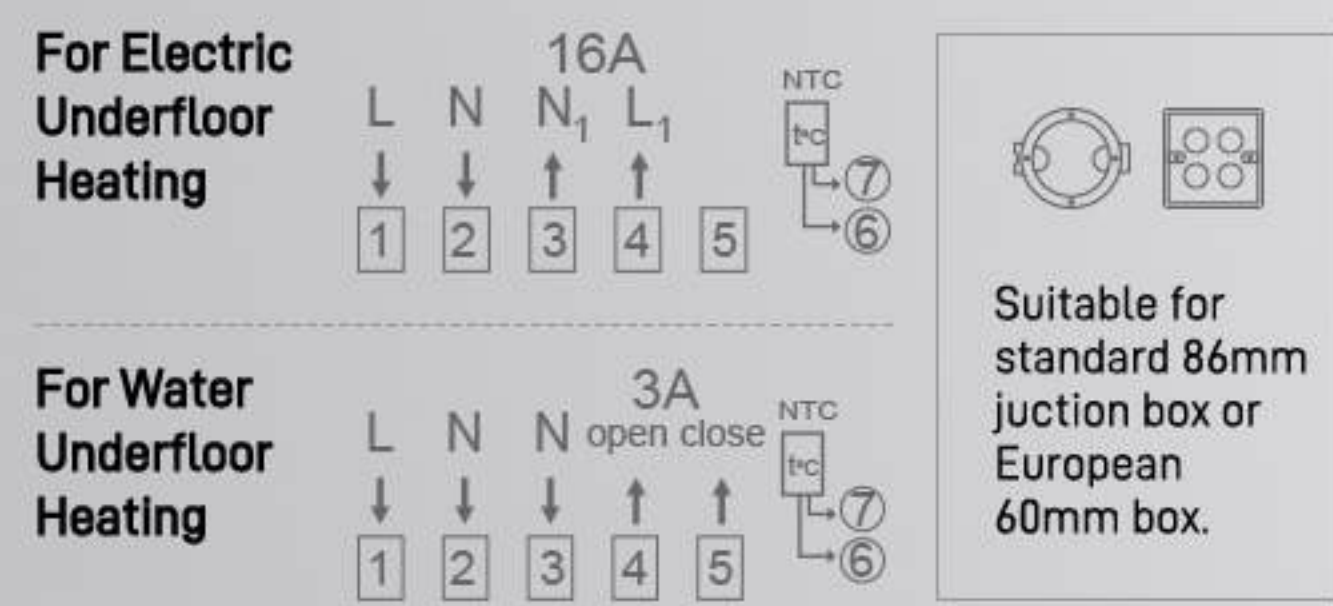
Model	Power Supply	Application		Remote Control	Additional
	AC 100~240V	Electric Heating(16A)	Water Heating(3A)	Wi-Fi	External Sensor
TGW60W-EP	✓	✓	✗	✗	✓
TGW60B-EP	✓	✓	✗	✗	✓
TGW60W-WP	✓	✗	✓	✗	Optional
TGW60B-WP	✓	✗	✓	✗	Optional

TDR8 Series Thermostats

Technical Data

Power supply AC100~240V; 50/60Hz	Set temp. range 5~95°C (default 60°C)
Load current Water heater 3A Electric heater 16A	Temperature hysteresis ±0.5~±9.9°C Adjustable (default ±1°C)
External material PC+ABS (flame retardant)	Temperature sensor NTC
Working environment -5~50°C	

Wiring Diagram



TGR86



TGR85



TDR83



TDR89

Model No. **TGR85** 86x90x14mm.
Glass mirror surface with touch keys.



Selection Table

Model	Power Supply	Application		Recmote Control		Additional
	AC 100~240V	Electric Heating(16A)	Water Heating(3A)	Wi-Fi	Zigbee	External Sensor
TGR85-EP	✓	✓	✗	✗	✗	✓
TGR85-WP	✓	✗	✓	✗	✗	Optional

Model No. **TDR83** 86x86x18mm.
Touch keys. 2 colors optional.



Selection Table

Model	Power Supply	Application		Recmote Control	Additional
	AC 100~240V	Electric Heating(16A)	Water Heating(3A)	Wi-Fi	External Sensor
TDR83W-EP	✓	✓	✗	✗	✓
TDR83W-WP	✓	✗	✓	✗	Optional
TDR83B-EP	✓	✓	✗	✗	✓
TDR83B-WP	✓	✗	✓	✗	Optional

Model No. **TGR86** 86x86x18mm.
Glass mirror surface with touch keys.



Selection Table

Model	Power Supply	Application		Recmote Control	Additional
	AC 100~240V	Electric Heating(16A)	Water Heating(3A)	Wi-Fi	External Sensor
TGR86-EP	✓	✓	✗	✗	✓
TGR86-WP	✓	✗	✓	✗	Optional

Model No. **TDR89** 86x86x14mm.
2 colors optional. TDR89W: white backlight with silver touch keys.
TDR89B: negative display with touch keys that glows red when woken up.



TDR89W



TDR89B

Selection Table

Model	Power Supply	Application		Recmote Control		Additional
	AC 100~240V	Electric Heating(16A)	Water Heating(3A)	Wi-Fi	Zigbee	External Sensor
TDR89W-EP	✓	✓	✗	✗	✗	✓
TDR89W-WP	✓	✗	✓	✗	✗	Optional
TDR89B-EP	✓	✓	✗	✗	✗	✓
TDR89B-WP	✓	✗	✓	✗	✗	Optional

BEOK Underfloor Heating Thermostat

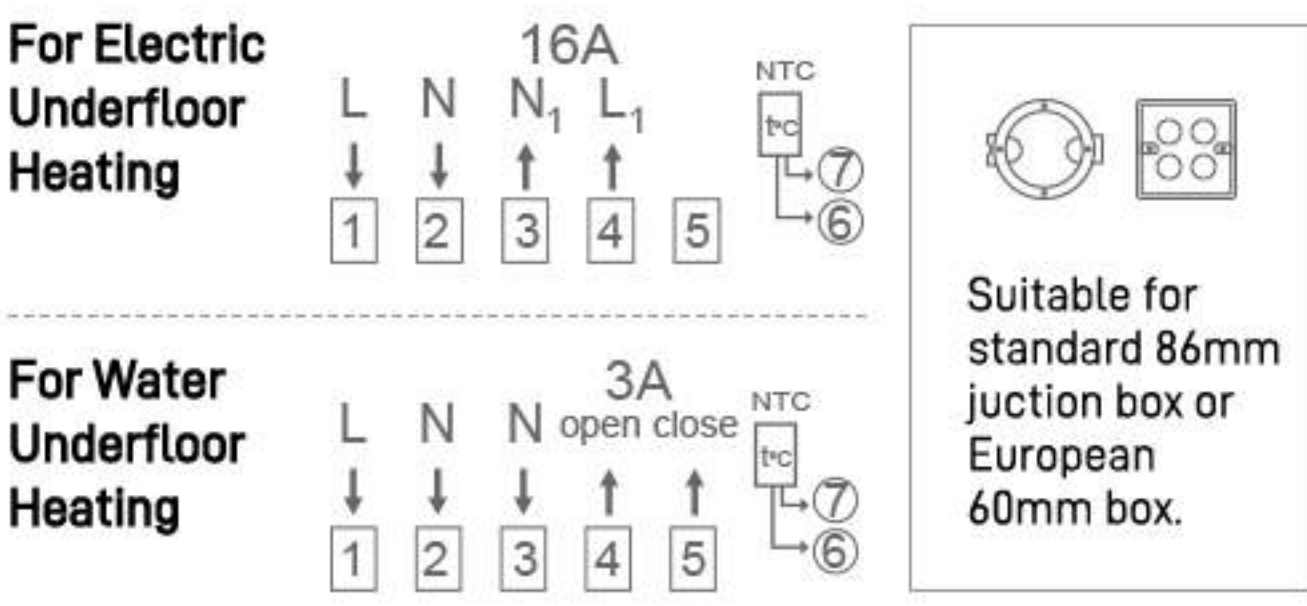
Model No. **TS4** 86x86x14mm. 2 colors optional.
 TS4W: Black screen with glossy white touch key area.
 TS4G: Black screen with frosted gray touch key area.



Technical Data

- Power supply**
AC100~240V; 50/60Hz
- Load current**
Water heater 3A
Electric heater 16A
- External material**
PC+ABS (flame retardant)
- Working environment**
-5~50°C
- Set temp. range**
5~95°C (default 60°C)
- Temperature hysteresis**
±0.5~±9.9°C Adjustable (default ±1°C)
- Temperature sensor**
NTC

Wiring Diagram



Selection Table

Model	Power Supply	Application		Remote Control	Additional
	AC 100~240V	Electric Heating(16A)	Water Heating(3A)	Wi-Fi	External Sensor
TS4W-EP	✓	✓	✗	✗	✓
TS4W-WP	✓	✗	✓	✗	Optional
TS4G-EP	✓	✓	✗	✗	✓
TS4G-WP	✓	✗	✓	✗	Optional

TDS Series Thermostats

Technical Data

Power supply
AC200~240V; 50/60Hz

Load current
Water heater 3A
Electric heater 16A

External material
PC+ABS (flame retardant)

Working environment
-5~50°C

Set temp. range
5~95°C (default 60°C)

Temperature hysteresis
±0.5~±9.9°C Adjustable
(default ±1°C)

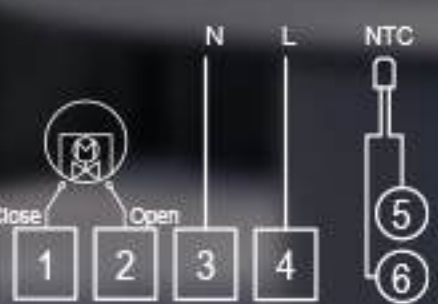
Temperature sensor
NTC

Wiring Diagram

For Electric Underfloor Heating



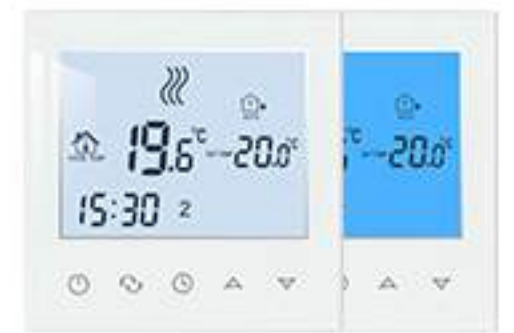
For Water Underfloor Heating




Suitable for standard 86mm junction box or European 60mm box.



TGT70



TDS21



TDS23



TOL313

Model No.
TGT70

86x86x16mm.
Glass screen with touch keys.



Selection Table

Model	Power Supply	Application		Recmote Control	Additional
	AC 200~240V	Electric Heating(16A)	Water Heating(3A)	Wi-Fi	External Sensor
TGT70-EP	✓	✓	✗	✗	✓
TGT70-WP	✓	✗	✓	✗	Optional

Model No.
TDS21

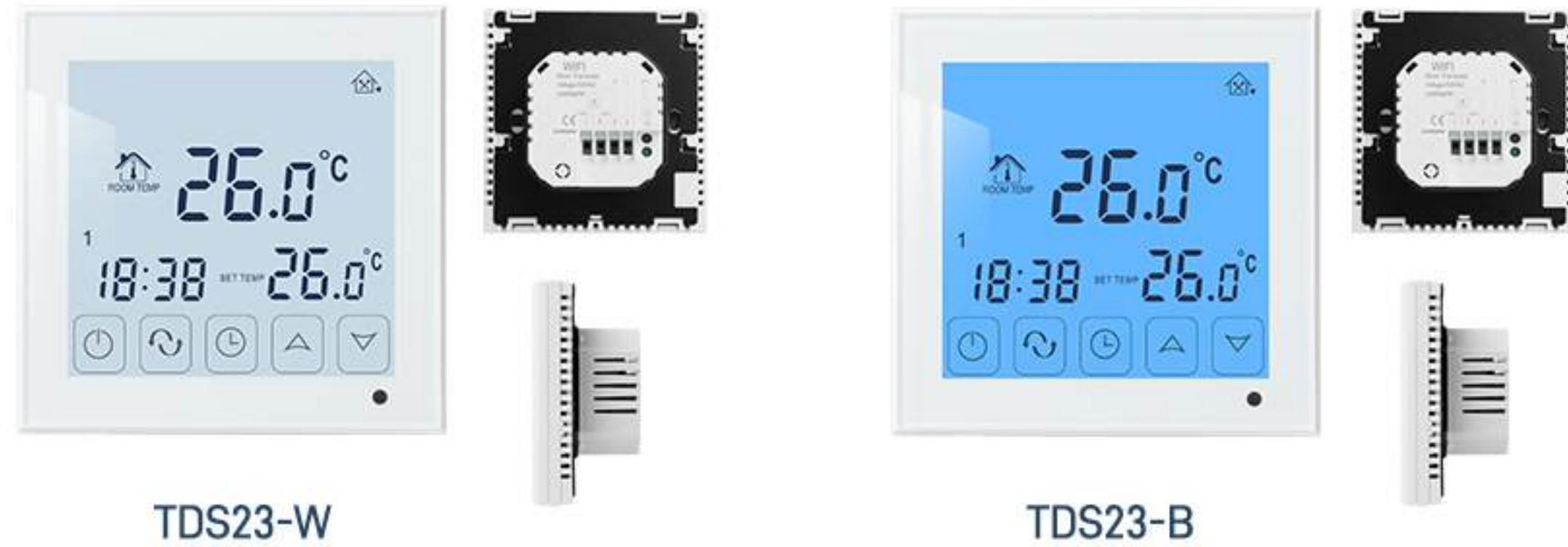
86x86x16mm.
Touch keys. 2 backlight colors optional.



Selection Table

Model	Power Supply	Application		Recmote Control	Additional
	AC 200~240V	Electric Heating(16A)	Water Heating(3A)	Wi-Fi	External Sensor
TDS21-EP-W	✓	✓	✗	✗	✓
TDS21-WP-W	✓	✗	✓	✗	Optional
TDS21-EP-B	✓	✓	✗	✓	✓
TDS21-WP-B	✓	✗	✓	✓	Optional

Model No. **TDS23** 86x86x16mm.
Touch keys. 2 backlight colors optional.



Model No. **TOL313** 86x86x16mm.
5 Mechanical keys. 2 backlight colors optional.



Selection Table

Model	Power Supply	Application		Recmote Control	Additional
	AC 200~240V	Electric Heating(16A)	Water Heating(3A)	Wi-Fi	External Sensor
TDS23-EP-W	✓	✓	✗	✗	✓
TDS23-WP-W	✓	✗	✓	✗	Optional
TDS23-EP-B	✓	✓	✗	✗	✓
TDS23-WP-B	✓	✗	✓	✗	Optional

Selection Table

Model	Power Supply	Application		Recmote Control	Additional
	AC 200~240V	Electric Heating(16A)	Water Heating(3A)	Wi-Fi	External Sensor
TOL313-EP-W	✓	✓	✗	✗	✓
TOL313-WP-W	✓	✗	✓	✗	Optional
TOL313-EP-B	✓	✓	✗	✗	✓
TOL313-WP-B	✓	✗	✓	✗	Optional

TDS7 Series Thermostats

Technical Data

Power supply
AC200~240V; 50/60Hz

Load current
Water heater 3A
Electric heater 16A

External material
PC+ABS (flame retardant)

Working environment
-5~50°C

Set temp. range
5~95°C (default 60°C)

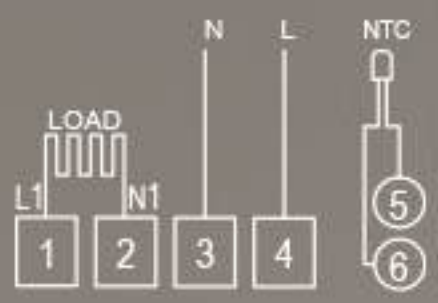
Temperature hysteresis
±0.5~±9.9°C Adjustable
(default ±1°C)

Temperature sensor
NTC

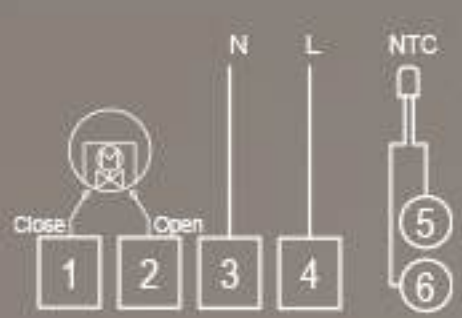


Wiring Diagram

For Electric Underfloor Heating



For Water Underfloor Heating



 Suitable for standard 86mm junction box or European 60mm box.



TDS72



TDS75



TGT79

Model No.

TDS72

86x86x13mm.

Frosted tactile shell with mechanical keys.



Selection Table

Model	Power Supply	Application		Recmote Control	Additional
	AC 200~240V	Electric Heating (16A)	Water Heating (3A)	Wi-Fi	External Sensor
TDS72-EP	✓	✓	✗	✗	✓
TDS72-WP	✓	✗	✓	✗	Optional

Model No.

TDS75

86x86x15mm.

Glossy panel with touch keys.



Selection Table

Model	Power Supply	Application		Recmote Control	Additional
	AC 200~240V	Electric Heating (16A)	Water Heating (3A)	Wi-Fi	External Sensor
TDS75-EP	✓	✓	✗	✗	✓
TDS75-WP	✓	✗	✓	✗	Optional

Model No.

TGT79

86x86x15mm.

Glossy panel with touch keys. Negative display screen.



Selection Table

Model	Power Supply	Application		Recmote Control	Additional
	AC 200~240V	Electric Heating (16A)	Water Heating (3A)	Wi-Fi	External Sensor
TDS79-EP	✓	✓	✗	✗	✓
TDS79-WP	✓	✗	✓	✗	Optional

BEOK Underfloor Heating Thermostat

Model No. **TC38** 86x86x15mm. 2 colors optional. White: glossy panel with silver touch keys. Black: dark mirrored panel with silver touch keys.



TCW38



TCB38



Technical Data

Power supply
AC200~240V; 50/60Hz

Load current
Water heater 3A
Electric heater 16A

External material
PC+ABS (flame retardant)

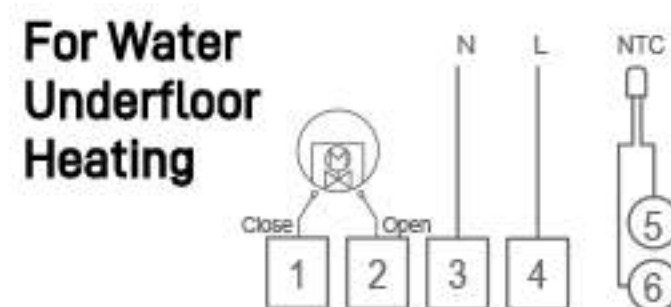
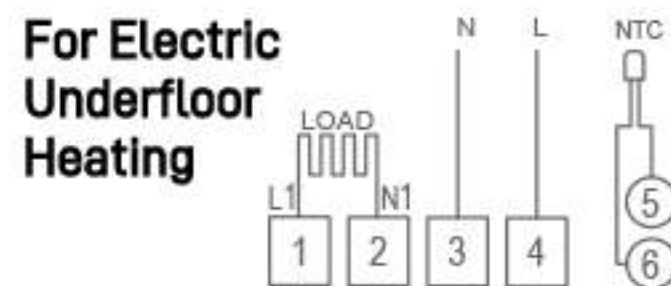
Working environment
-5~50°C

Set temp. range
5~95°C (default 60°C)

Temperature hysteresis
±0.5~±9.9°C Adjustable
(default ±1°C)

Temperature sensor
NTC

Wiring Diagram



Suitable for standard 86mm junction box or European 60mm box.

Selection Table

Model	Power Supply	Application		Remote Control	Additional
	AC 200~240V	Electric Heating(16A)	Water Heating(3A)	Wi-Fi	External Sensor
TCW38-EP	✓	✓	✗	✗	✓
TCW38-WP	✓	✗	✓	✗	Optional
TCB38-EP	✓	✓	✗	✗	✓
TCB38-WP	✓	✗	✓	✗	Optional

2

Non-WiFi Thermostat for Gas Boiler

There are two types of gas boiler thermostats, wired and wireless.

Wired Thermostat for Gas Boiler



Wireless RF Thermostat for Gas Boiler



Non-WiFi Thermostat for Gas Boiler

There are two types of gas boiler thermostats, wired and wireless.

Wired

Thermostat for Gas Boiler

The thermostat is connected directly to the boiler.

Gas boiler with dry contact

⚡ AC 230 V



Passive connection

Model No.
TOL47-WPB

86x86x14mm. Frosted case with large anti-reflective LCD screen. 5 mechanical keys.



Technical Data

Power supply
AC100~240V; 50/60Hz

Load current
3A

External material
PC+ABS (flame retardant)

Working environment
-5~50°C

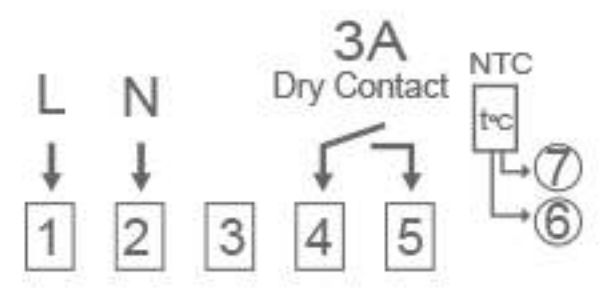
Set temp. range
5~95°C (default 60°C)

Temperature hysteresis
±0.5~±9.9°C Adjustable (default ±1°C)

Temperature sensor
NTC

Wiring Diagram

For Gas Boiler



Suitable for standard 86mm junction box or European 60mm box.

Selection Table

Model	Power Supply	Application	Remote Control	Additional
	AC 100~240V	Gas Boiler	Wi-Fi	External Sensor
TOL47-WPB	✓	✓	✗	✗

Model No.

TGM50-WPB

86x86x12.5mm. Frosted one-piece body with touch keys.



TGM50-WPB



TGM50B-WPB



Special Feature



Open-window Detection

This thermostat stops heating when there is a sudden drop in room temperature to minimize wasted energy due to open windows.



Technical Data

Power supply
AC100~240V; 50/60Hz

Load current
3A

External material
PC+ABS (flame retardant)

Working environment
-5~50°C

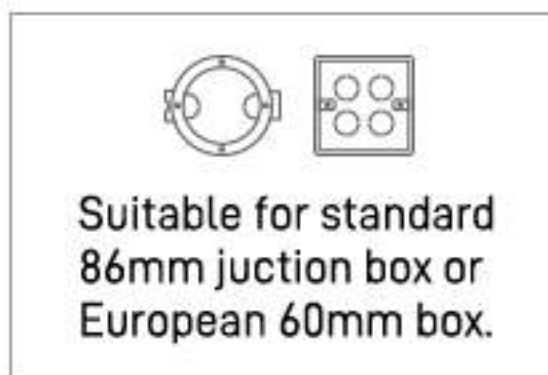
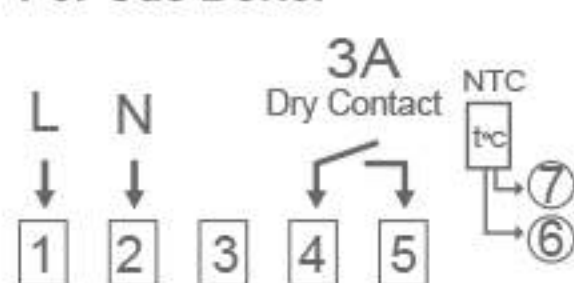
Set temp. range
5~95°C (default 60°C)

Temperature hysteresis
±0.5~±9.9°C Adjustable
(default ±1°C)

Temperature sensor
NTC

Wiring Diagram

For Gas Boiler



Selection Table

Model	Power Supply	Application	Recmote Control		Additional
	AC 100~240V	Gas Boiler	Wi-Fi	Zigbee	External Sensor
TGM50-WPB	✓	✓	✗	✗	✗
TGM50B-WPB	✓	✓	✗	✗	✗

TGP5 Series Boiler Thermostats

Technical Data

Power supply
AC100~240V; 50/60Hz

Load current
3A

External material
PC+ABS (flame retardant)

Working environment
-5~50°C

Set temp. range
5~95°C (default 60°C)

Temperature hysteresis
±0.5~±9.9°C Adjustable
(default ±1°C)

Temperature sensor
NTC



Wiring Diagram

For Gas Boiler



Suitable for standard
86mm junction box or
European 60mm box.



TGP53-WPB



TGP508-WPB



Model No.
TGP53-WPB



86x86x13mm.

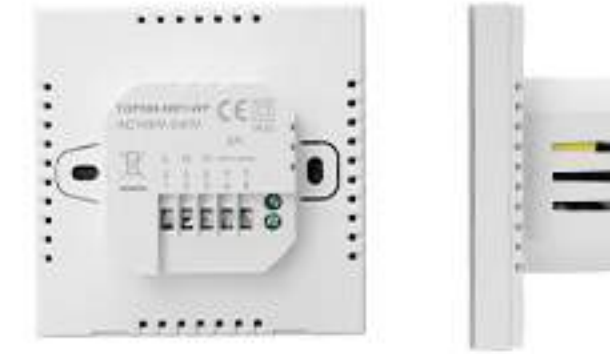
Glass screen, 3 subtle shiny silver physical buttons with icons that light up when woken up.

Selection Table

Model	Power Supply	Application	Recmote Control	Additional
	AC 100~240V	Gas Boiler	Wi-Fi	External Sensor
TGP53-WPB	✓	✓	✗	✗



Model No.
TGP508-WPB



86x86x14mm.

3 vertically distributed touch keys.

Selection Table

Model	Power Supply	Application	Recmote Control	Additional
	AC 100~240V	Gas Boiler	Wi-Fi	External Sensor
TGP508-WPB	✓	✓	✗	✗

Model No.

TGP51G-WPB

86x86x13mm. Glass screen, 4 touch keys with silver icons.



Technical Data

Power supply
AC200~240V; 50/60Hz

Load current
3A

External material
PC+ABS (flame retardant)

Working environment
-5~50°C

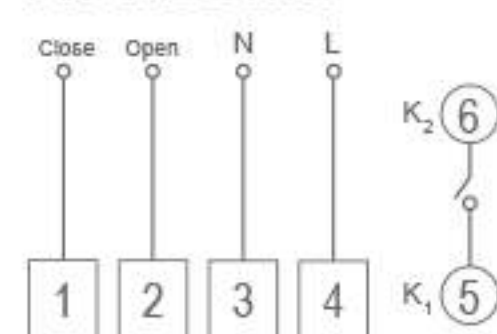
Set temp. range
5~95°C (default 60°C)


Temperature hysteresis
±0.5~±9.9°C Adjustable
(default ±1°C)

Temperature sensor
NTC

Wiring Diagram

For Gas Boiler




Suitable for standard 86mm junction box or European 60mm box.

Selection Table

Model	Power Supply	Application	Recmote Control	Additional
	AC 200~240V	Gas Boiler	Wi-Fi	External Sensor
TGP51G-WPB	✓	✓	✗	✗

Model No.

TGW60-WPB

86x86x12.5mm. LCD glass display with touch keys.
2 colors optional.



TGW60W-WPB



TGW60B-WPB



Technical Data

Power supply
AC100~240V; 50/60Hz

Load current
3A

External material
PC+ABS (flame retardant)

Working environment
-5~50°C

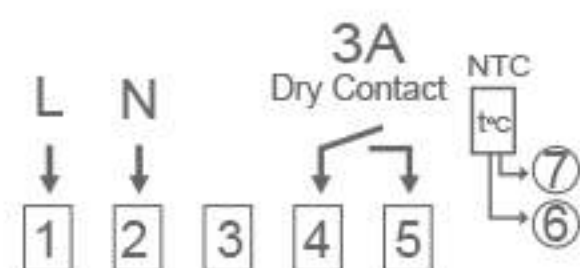
Set temp. range
5~95°C (default 60°C)

Temperature hysteresis
±0.5~±9.9°C Adjustable
(default ±1°C)

Temperature sensor
NTC

Wiring Diagram

For Gas Boiler




Suitable for standard 86mm junction box or European 60mm box.

Selection Table

Model	Power Supply	Application	Remote Control	Additional
	AC 100~240V	Gas Boiler	Wi-Fi	External Sensor
TGW60W-WPB	✓	✓	✗	✗
TGW60B-WPB	✓	✓	✗	✗

TDR8 Series Gas Boiler Thermostats

Technical Data

Power supply

AC100~240V; 50/60Hz

Load current

3A

External material

PC+ABS (flame retardant)

Working environment

-5~50°C

Set temp. range

5~95°C (default 60°C)

Temperature hysteresis

±0.5~±9.9°C Adjustable (default ±1°C)

Temperature sensor

NTC

Wiring Diagram

For Gas Boiler



Suitable for standard 86mm junction box or European 60mm box.



TGR85-WPB



TDR83-WPB



TGR86-WPB



TDR89-WPB

Model No. **TGR85-WPB** 86x90x14mm.
Glass mirror surface with touch keys.



Selection Table

Model	Power Supply	Application	Recmote Control		Additional
	AC 100~240V		Gas Boiler	Wi-Fi	Zigbee
TGR85-WPB	✓	✓	✗	✗	✗

Model No. **TDR83-WPB** 86x86x18mm.
Touch keys. 2 colors optional.



Selection Table

Model	Power Supply	Application	Recmote Control	Additional
	AC 100~240V		Gas Boiler	Wi-Fi
TDR83W-WPB	✓	✓	✗	✗
TDR83B-WPB	✓	✓	✗	✗

Model No.

TGR86-WPB

86x90x14mm.
Glass mirror surface with touch keys.



Selection Table

Model	Power Supply	Application	Recmote Control	Additional
	AC 100~240V	Gas Boiler	Wi-Fi	External Sensor
TGR86-WPB	✓	✓	✗	✗

Model No.

TDR89-WPB

86x86x14mm. 2 colors optional. TDR89W: white backlight with silver touch keys. TDR89B: negative display with touch keys that glows red when woken up.



TDR89W-WPB



TDR89B-WPB



Selection Table

Model	Power Supply	Application	Recmote Control		Additional
	AC 100~240V	Gas Boiler	Wi-Fi	Zigbee	External Sensor
TDR89W-WPB	✓	✓	✗	✗	✗
TDR89B-WPB	✓	✓	✗	✗	✗

Model No.

TS4-WPB

86x86x14mm. 2 colors optional.
 TS4W: Glossy white touch key area.
 TS4G: Frosted gray touch key area.



TS4W-WPB

TS4G-WPB



Technical Data

Power supply
 AC100~240V; 50/60Hz

Load current
 3A

External material
 PC+ABS (flame retardant)

Working environment
 -5~50°C

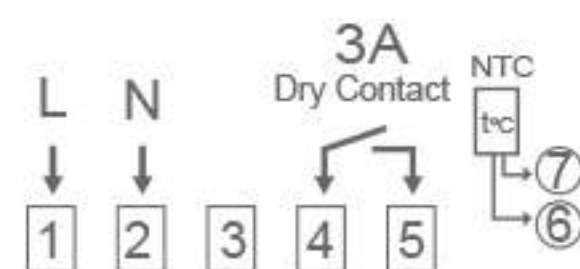
Set temp. range
 5~95°C (default 60°C)

Temperature hysteresis
 ±0.5~±9.9°C Adjustable
 (default ±1°C)

Temperature sensor
 NTC

Wiring Diagram

For Gas Boiler




 Suitable for standard
 86mm junction box or
 European 60mm box.

Selection Table

Model	Power Supply	Application	Recmote Control	Additional
	AC 100~240V	Gas Boiler	Wi-Fi	External Sensor
TS4W-WPB	✓	✓	✗	✗
TS4G-WPB	✓	✓	✗	✗

TDS Series Gas Boiler Thermostats

Technical Data

Power supply
AC200~240V; 50/60Hz

Load current
3A

External material
PC+ABS (flame retardant)

Working environment
-5~50°C

Set temp. range
5~95°C (default 60°C)

Temperature hysteresis
±0.5~±9.9°C Adjustable
(default ±1°C)

Temperature sensor
NTC



Wiring Diagram

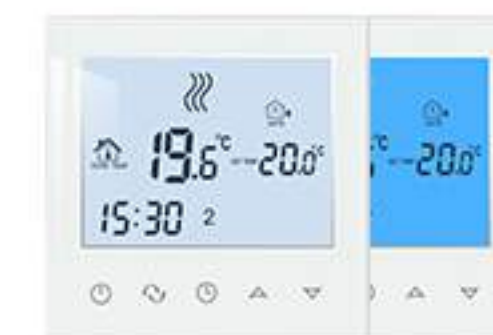
For Gas Boiler



Suitable for standard
86mm junction box or
European 60mm box.



TGT70-WPB



TDS21-WPB



TDS23-WPB

Model No.
TGT70-WPB

86x86x16mm.
Glass screen with touch keys.



Selection Table

Model	Power Supply	Application	Recmote Control
	AC 200~240V	Gas Boiler	Wi-Fi
TGT70-WPB	✓	✓	✗

Model No.
TDS21-WPB

86x86x16mm.
Touch keys. 2 backlight colors optional



Selection Table

Model	Power Supply	Application	Recmote Control
	AC 200~240V	Gas Boiler	Wi-Fi
TDS21-WPB-W	✓	✓	✗
TDS21-WPB-B	✓	✓	✗

Model No.
TDS23-WPB

86x86x16mm.
Touch keys. 2 backlight colors optional.



Selection Table

Model	Power Supply	Application	Recmote Control
	AC 200~240V	Gas Boiler	Wi-Fi
TDS23-WPB-W	✓	✓	✗
TDS23-WPB-B	✓	✓	✗

TDS7 Series Gas Boiler Thermostats

Technical Data

Power supply
AC200~240V; 50/60Hz

Load current
3A

External material
PC+ABS (flame retardant)

Working environment
-5~50°C

Set temp. range
5~95°C (default 60°C)

Temperature hysteresis
±0.5~±9.9°C Adjustable
(default ±1°C)

Temperature sensor
NTC

Wiring Diagram

For Gas Boiler



Suitable for standard
86mm junction box or
European 60mm box.



TDS72-WPB



TDS75-WPB



TGT79-WPB

Model No.

TDS72-WPB

86x86x13mm.

Frosted tactile shell with mechanical keys.



Selection Table

Model	Power Supply	Application	Recmote Control	Additional
	AC 200~240V	Gas Boiler	Wi-Fi	External Sensor
TDS72-WPB	✓	✓	✗	✗

Model No.

TDS75-WPB

86x86x15mm.

Glossy panel with touch keys.



Selection Table

Model	Power Supply	Application	Recmote Control	Additional
	AC 200~240V	Gas Boiler	Wi-Fi	External Sensor
TDS75-WPB	✓	✓	✗	✗

Model No.

TGT79-WPB

86x86x15mm.

Glossy panel with touch keys. Negative display screen.



Selection Table

Model	Power Supply	Application	Recmote Control	Additional
	AC 200~240V	Gas Boiler	Wi-Fi	External Sensor
TGT79-WPB	✓	✓	✗	✗

Model No.

TC38-WPB

86x86x15mm. 2 colors optional. White: glossy panel with silver touch keys. Black: dark mirrored panel with silver touch keys.



TCW38-WPB



TCB38-WPB



Technical Data

Power supply
AC200~240V; 50/60Hz

Load current
3A

External material
PC+ABS (flame retardant)

Working environment
-5~50°C

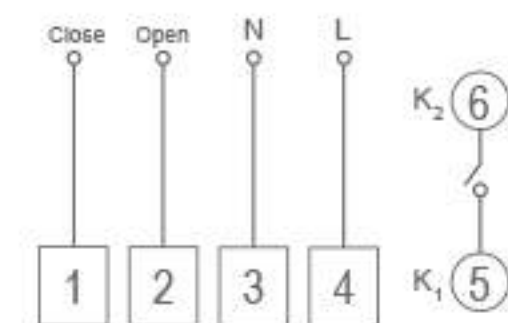
Set temp. range
5~95°C (default 60°C)

Temperature hysteresis
±0.5~±9.9°C Adjustable
(default ±1°C)

Temperature sensor
NTC

Wiring Diagram

For Gas Boiler




Suitable for standard
86mm junction box or
European 60mm box.

Selection Table

Model	Power Supply	Application	Remote Control	Additional
	AC 200~240V	Gas Boiler	Wi-Fi	External Sensor
TCW38-WPB	✓	✓	✗	✗
TCB38-WPB	✓	✓	✗	✗

Model No.

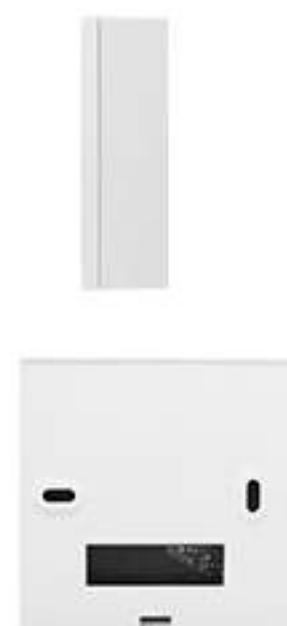
BOT-323W



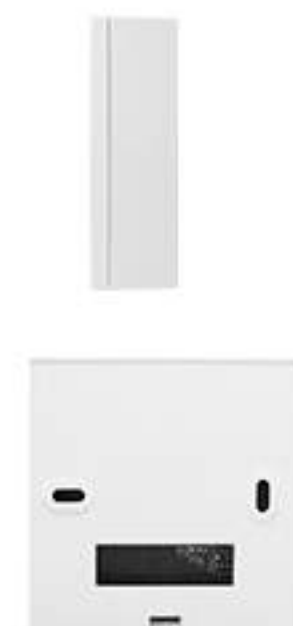
86x86x27mm. Touch keys. 2 backlight colors optional.



BOT-323W-WH



BOT-323W-BL



Technical Data

Power Supply
1.5V×2 (2 sections of 1.5V AA battery)

Current Load
3A

Temp. control accuracy
±1°C

Setting temp. range
5-99°C (factory default 5-35°C)

Limiting temp. range
5-99°C

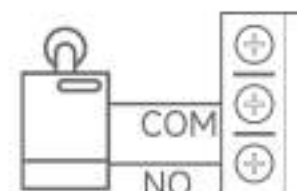
Power Consumption
<0.15W

Temperature hysteresis
±0.5~±9.9°C Adjustable (default ±1°C)

Temperature sensor
NTC

Wiring Diagram

For Gas Boiler



Screw mounted to wall, no mounting box required

Selection Table

Model	Power Supply	Application	Recmote Control	Additional
	2 sections of 1.5V AA battery	Gas Boiler	Wi-Fi	External Sensor
BOT-323W-WH	✓	✓	✗	✗
BOT-323W-BL	✓	✓	✗	✗

Model No.

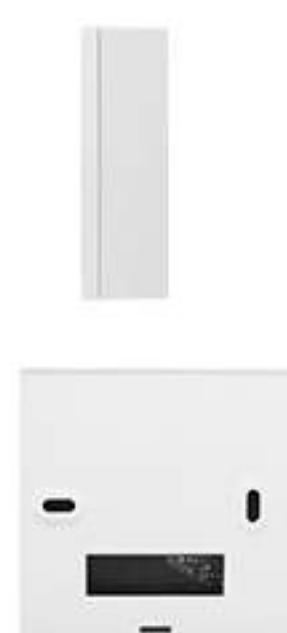
BOT-313W



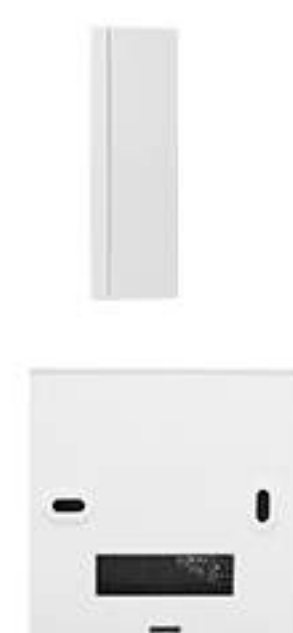
86x86x27mm. 5 mechanical keys. 2 backlight colors optional.



BOT-313W-WH



BOT-313W-BL



Technical Data

Power Supply
1.5V×2 (2 sections of 1.5V AA battery)

Current Load
3A

Temp. control accuracy
±1°C

Setting temp. range
5-99°C (factory default 5-35°C)

Limiting temp. range
5-99°C

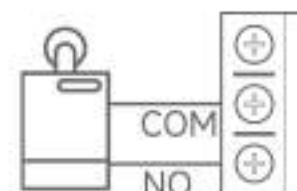
Power Consumption
<0.15W

Temperature hysteresis
±0.5~±9.9°C Adjustable (default ±1°C)

Temperature sensor
NTC

Wiring Diagram

For Gas Boiler



Screw mounted to wall, no mounting box required

Selection Table

Model	Power Supply	Application	Recmote Control	Additional
	2 sections of 1.5V AA battery	Gas Boiler	Wi-Fi	External Sensor
BOT-313W-WH	✓	✓	✗	✗
BOT-313W-BL	✓	✓	✗	✗

Model No.

BOT-R6W



86x86x24mm. Touch keys.



Technical Data

Power supply
Three 1.5V AA batteries

Current load
3A (Resistive)

Temperature sensor
NTC

Power consumption
<170 uW

Temperature accuracy
±1°C

Temperature hysteresis
±0.5~±9.9°C Adjustable (default ±1°C)

Wiring Diagram

For Gas Boiler



Screw mounted to wall, no mounting box required

Selection Table

Model	Power Supply	Application	Recmote Control	Additional
	3 sections of 1.5V AA battery	Gas Boiler	Wi-Fi	External Sensor
BOT-R6W	✓	✓	✗	✗

Model No.

BOT-W306



130x91x21mm.
Touch keys.



Technical Data

Power Supply
Two 1.5V AA batteries

Current Load
3A

Power Consumption
<0.15W

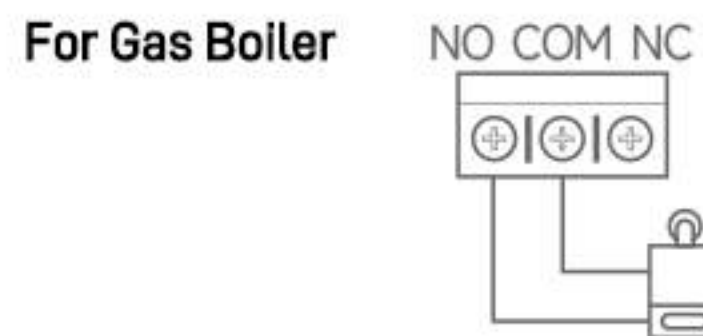
Setting temp. range
5-35°C

Temp. control accuracy
0.5-5°C

Sensing Element
NTC

Temperature hysteresis
±0.5~±9.9°C Adjustable
(default ±1°C)

Wiring Diagram



Screw mounted to wall,
no mounting box required

Selection Table

Model	Power Supply	Application	Recmote Control	Additional
	2 sections of 1.5V AA battery	Gas Boiler	Wi-Fi	External Sensor
BOT-W306	✓	✓	✗	✗

Non-WiFi Thermostat for Gas Boiler

There are two types of gas boiler thermostats, wired and wireless.

Wireless Thermostat for Gas Boiler

The receiver is connected to the boiler and the thermostat is wirelessly connected to the receiver via RF.



Model No.

BOT-R7-X



Thermostat 118x86x24mm. Receiver 94x85x27mm.
Touch keys and knob adjustment.



BOT-R7W-X



BOT-R7B-X



Mounting Options



Can be wall-mounted or placed on a tabletop.

Technical Data

Power Supply
Thermostat: 1.5V×3 (3 sections of 1.5V AA battery) and USB
Receiver: 110~220 VAC

Current Load
3A

Temp. control accuracy
±1°C

Setting temp. range
5-99°C (factory default 5-35°C)

Limiting temp. range
5-99°C

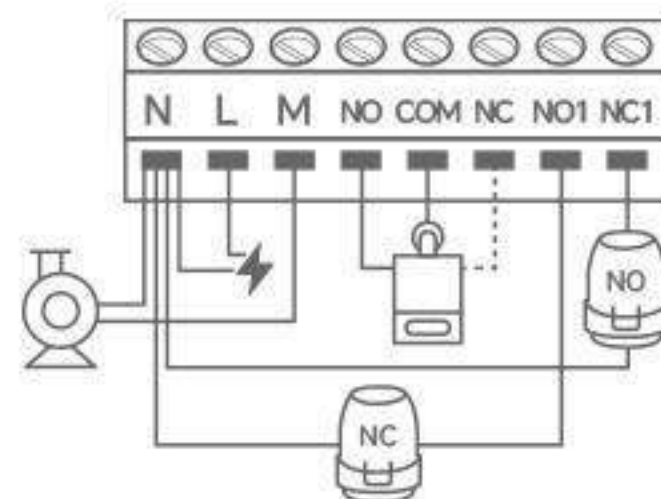
Power Consumption
<0.15W

Temperature hysteresis
±0.5~±9.9°C Adjustable (default ±1°C)

Sensing Element
NTC

Wiring Diagram of the Receiver

For Gas Boiler



Selection Table

Model	Power Supply			Application	Remote Control	Additional
	<Thermostat> USB type C (5V)	<Thermostat> 3 X 1.5V AA battery	<Receiver> AC 230V			
BOT-R7W-X	✓	✓	✓	✓	✗	✗
BOT-R7B-X	✓	✓	✓	✓	✗	✗

Model No.

BOT-X306 

Thermostat: 130x91x21mm. Touch keys.
Receiver: 85x85x28mm.



Technical Data

Working Voltage

Thermostat: Two 1.5V AA batteries.
Receiver: 220V

Current Load
3A

Consumption

<0.3W

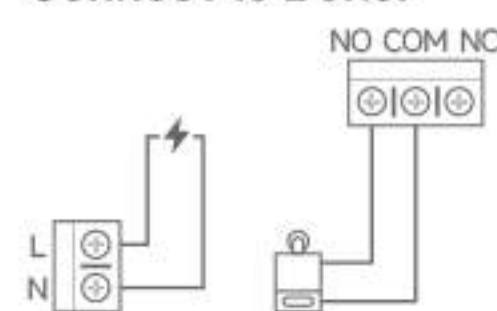
Temp. control accuracy

0.5-5°C

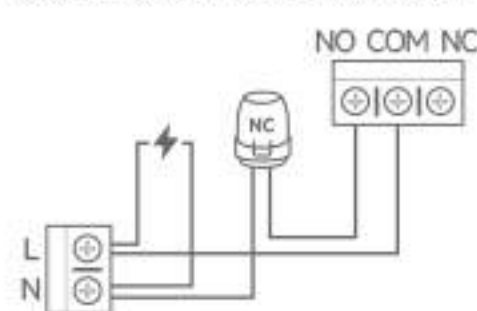
Setting temp. range
5-99°C

Wiring Diagram of the Receiver

Connect to Boiler



Connect to Actuator




Screw mounted to wall, no mounting box required

Selection Table

Model	Power Supply		Application	Remote Control
	<Thermostat> 2 X 1.5V AA battery	<Receiver> AC 230V		
BOT-X306	✓	✓	✓	✗

Model No.

BOT-R6X



Thermostat: 86x102x78mm (Dimensions after installation with holder). Touch keys. Receiver: 94x85x27mm.



Mounting Options



Can be wall-mounted or placed on a tabletop.



Technical Data

Power supply

Thermostat: three 1.5V AA batteries or USB powered (Type C)
Receiver: 110~220 VAC

Current load

3A (Resistive)

Temperature sensor

NTC

Temperature accuracy

±1°C

Power consumption

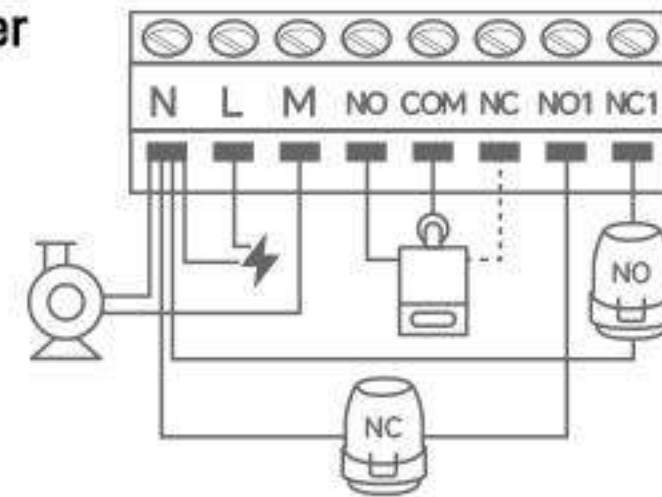
<170 μW

Temperature hysteresis

±0.5~±9.9°C Adjustable (default ±1°C)

Wiring Diagram of the Receiver

For Gas Boiler



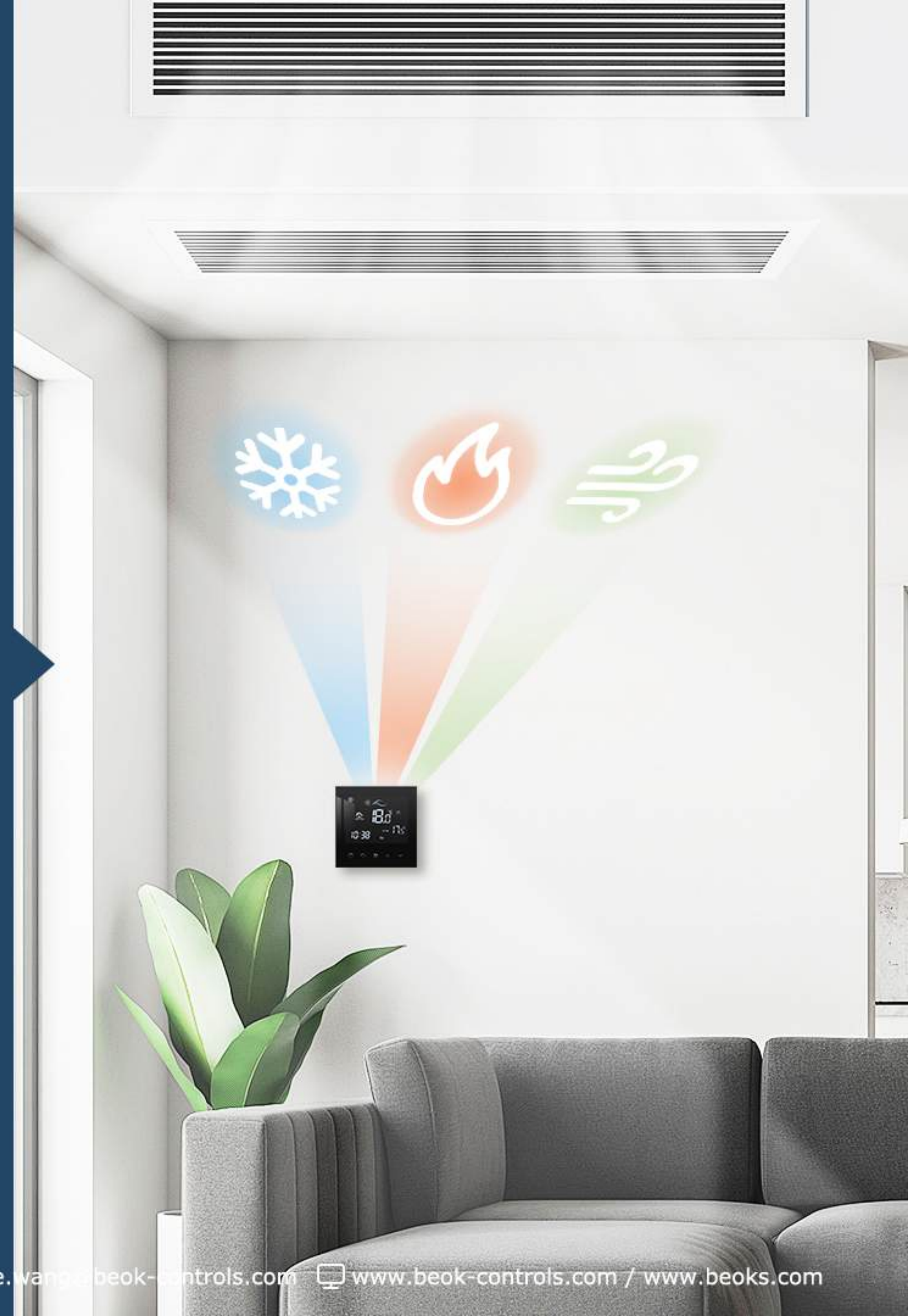
Selection Table

Model	Power Supply			Application	Remote Control
	<Thermostat> USB type C (5V)	<Thermostat> 3 X 1.5V AA battery	<Receiver> AC 230V		
BOT-R6X	✓	✓	✓	✓	✗

3

Non-WiFi Thermostat for Fan Coil

Fan coil thermostats are divided into four-control and two-control.



TDS Series Thermostats

Technical Data

Power supply
AC200~240V; 50/60Hz

Load current
3A~5A

External material
PC+ABS (flame retardant)

Power consumption
<0.5W

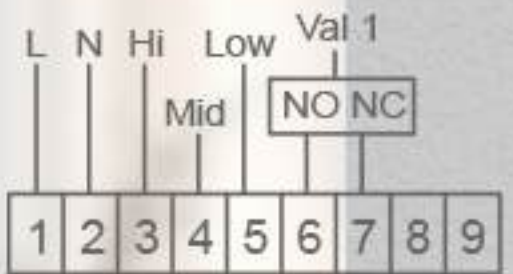
Set temp. range
10~40°C

Temperature hysteresis
±0.5~±9.9°C Adjustable
(default ±1°C)

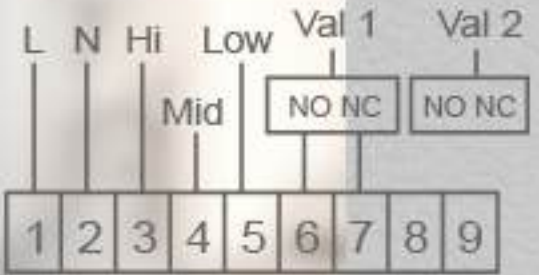
Temperature sensor
NTC

Wiring Diagram

For 2-controls Fan Coil



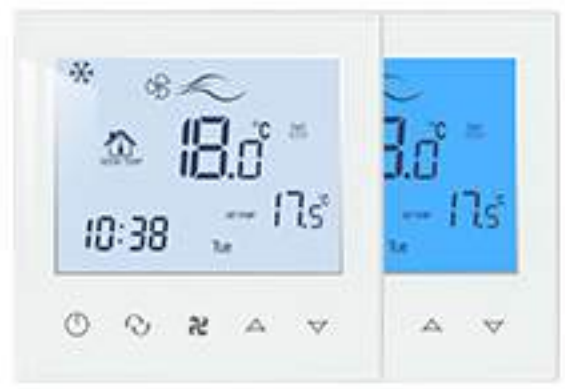
For 4-controls Fan Coil




Suitable for standard 86mm junction box or European 60mm box.



TGT70-AC



TDS21-AC



TDS23-AC

Model No.
TGT70-AC

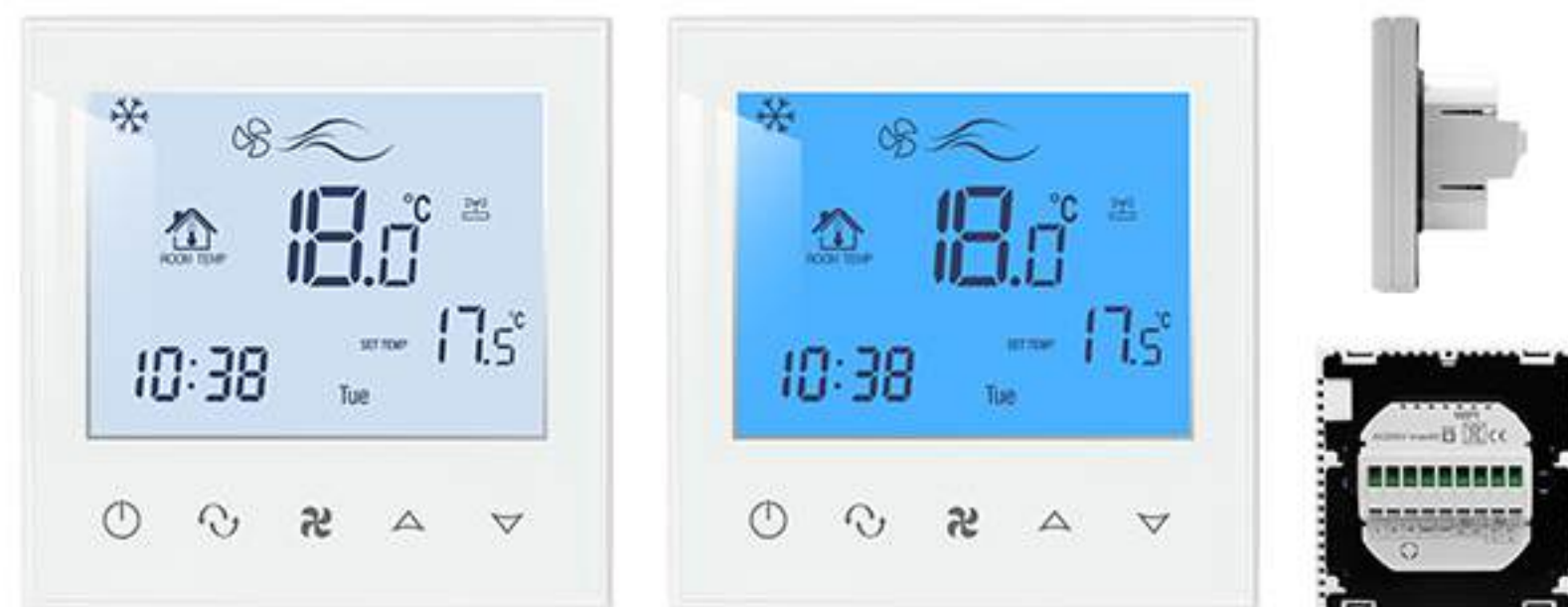
86x86x16mm.
Glass screen with touch keys.



Selection Table

Model	Power Supply	Application		Recmote Control
	AC 200~240V	2-pipe Fan Coil	4-pipe Fan Coil	Wi-Fi
TGT70-AC2	✓	✓	✗	✗
TGT70-AC4	✓	✗	✓	✗

Model No.
TDS21-AC 86x86x15mm.
Glossy panel with touch keys.



TDS21-AC-WW

TDS21-AC-BL

Selection Table

Model	Power Supply	Application		Recmote Control
	AC 200~240V	2-pipe Fan Coil	4-pipe Fan Coil	Wi-Fi
TDS21-AC2-WW	✓	✓	✗	✗
TDS21-AC2-BL	✓	✓	✗	✗
TDS21-AC4-WW	✓	✗	✓	✗
TDS21-AC4-BL	✓	✗	✓	✗

Model No.
TDS23-AC 86x86x15mm.
Glossy panel with touch keys.



TDS23-AC-WW

TDS23-AC-BL

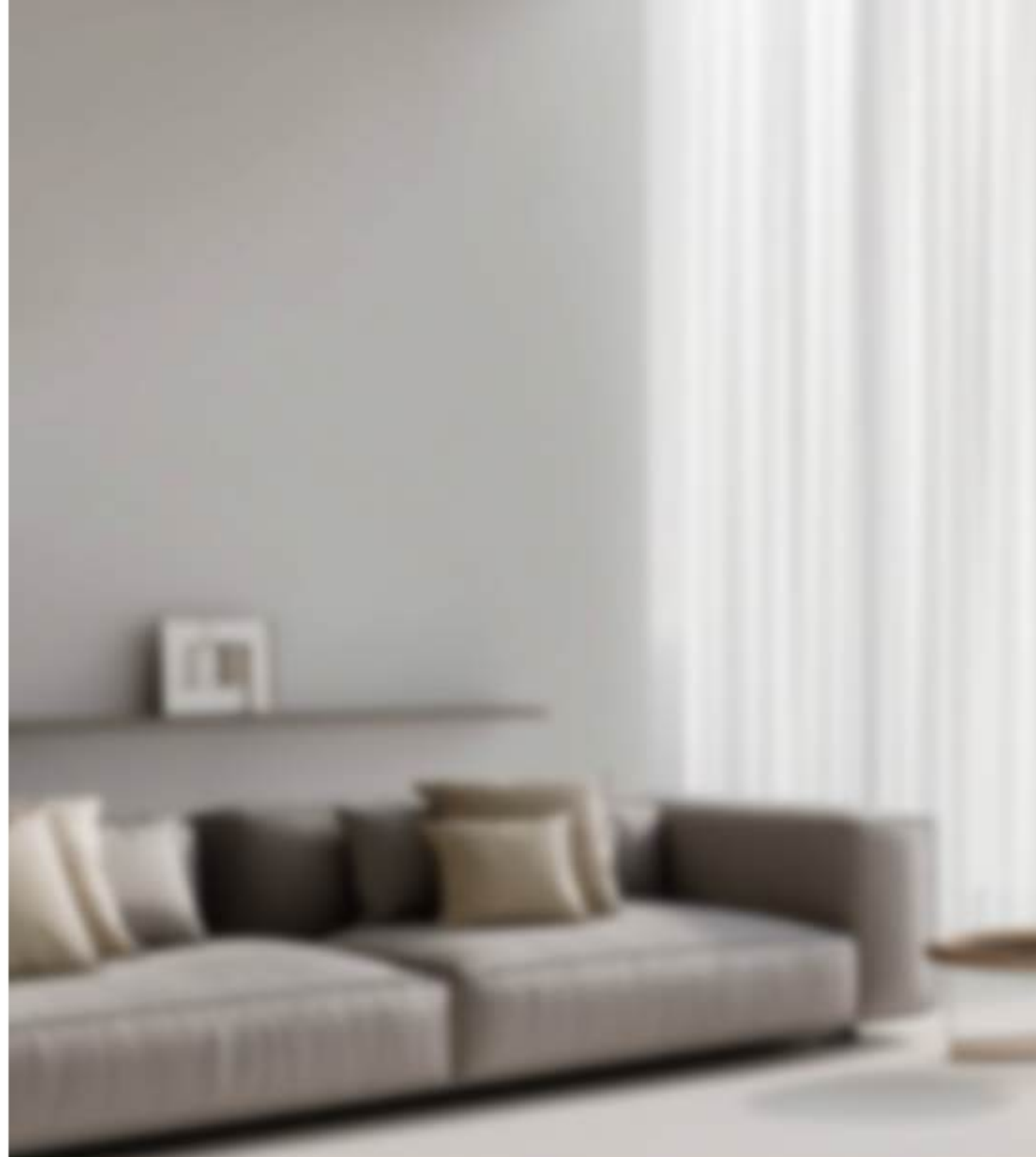
Selection Table

Model	Power Supply	Application		Recmote Control
	AC 200~240V	2-pipe Fan Coil	4-pipe Fan Coil	Wi-Fi
TDS23-AC2-WW	✓	✓	✗	✗
TDS23-AC2-BL	✓	✓	✗	✗
TDS23-AC4-WW	✓	✗	✓	✗
TDS23-AC4-BL	✓	✗	✓	✗

Model No.

TGP51G-AC

86x86x13mm. Glass screen, 4 touch keys with silver icons.



Technical Data

Power supply
AC200~240V; 50/60Hz

Load current
3A~5A

External material
PC+ABS (flame retardant)

Accuracy
±1°C

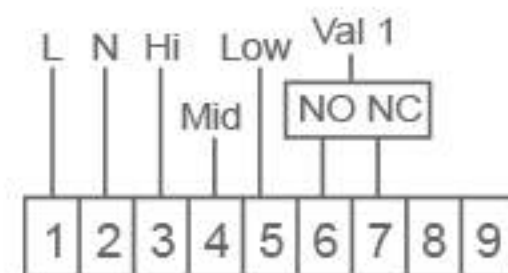
Set temp. range
10~40°C

Temperature hysteresis
±0.5~±9.9°C Adjustable
(default ±1°C)

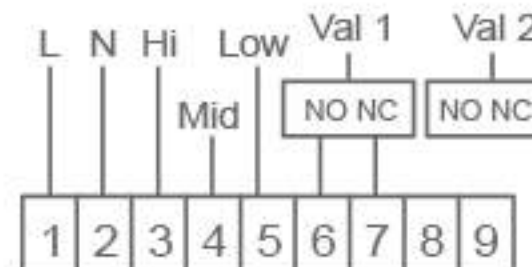
Temperature sensor
NTC

Wiring Diagram

For 2-controls
Fan Coil



For 4-controls
Fan Coil



Suitable for
standard 86mm
junction box or
European
60mm box.

Selection Table

Model	Power Supply	Application		Recmote Control
	AC 200~240V	2-pipe Fan Coil	4-pipe Fan Coil	Wi-Fi
TGP51G-AC2	✓	✓	✗	✗
TGP51G-AC4	✓	✓	✗	✗

Model No.

TOL43-AC

86x86x13.3mm..Large LCD screen with mechanical keys.



TOL43-AC-W



TOL43-AC-B



Technical Data

Power supply
AC200~240V; 50/60Hz

Load current
3A~5A

External material
PC+ABS (flame retardant)

Accuracy
±1°C

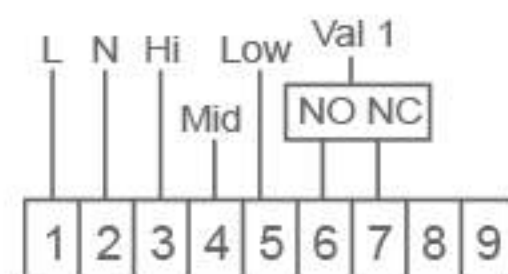
Set temp. range
10~40°C

Temperature hysteresis
±0.5~±9.9°C Adjustable
(default ±1°C)

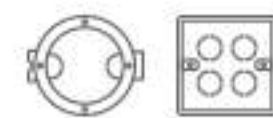
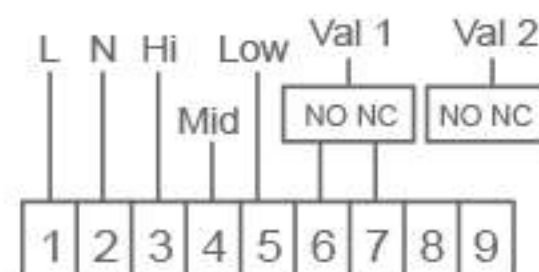
Temperature sensor
NTC

Wiring Diagram

For 2-controls
Fan Coil



For 4-controls
Fan Coil



Suitable for
standard 86mm
junction box or
European
60mm box.

Selection Table

Model	Power Supply	Application		Recmote Control
	AC 200~240V	2-pipe Fan Coil	4-pipe Fan Coil	Wi-Fi
TOL43-AC2-W	✓	✓	✓	✗
TOL43-AC2-B	✓	✓	✓	✗
TOL43-AC4-B	✓	✗	✗	✗
TOL43-AC4-W	✓	✗	✗	✗

Model No.

TOL63R-AC

86x86x13.3mm. Large LCD screen with mechanical keys.



TOL63R-AC-W



TOL63R-AC-B



Technical Data

Power supply
AC200~240V; 50/60Hz

Load current
3A~5A

External material
PC+ABS (flame retardant)

Accuracy
±1°C

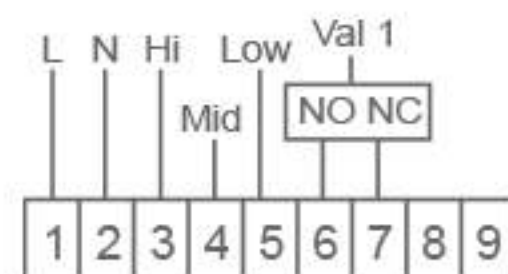
Set temp. range
10~40°C

Temperature hysteresis
±0.5~±9.9°C Adjustable
(default ±1°C)

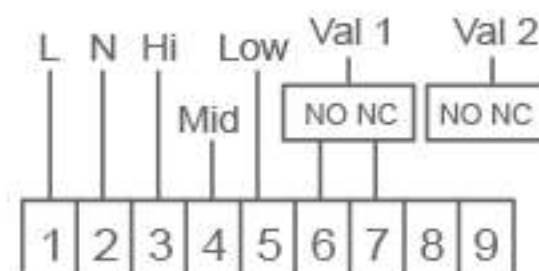
Temperature sensor
NTC

Wiring Diagram

For 2-controls
Fan Coil



For 4-controls
Fan Coil



Selection Table

Model	Power Supply	Application		Remote Control
	AC 200~240V	2-pipe Fan Coil	4-pipe Fan Coil	Wi-Fi
TOL63R-AC2-W	✓	✓	✗	✗
TOL63R-AC2-B	✓	✓	✗	✗
TOL63R-AC4-W	✓	✗	✓	✗
TOL63R-AC4-B	✓	✗	✓	✗

Model No.

TOL313-AC

86x86x13.3mm. Large LCD screen with mechanical keys.



TOL313-AC-W



TOL313-AC-B



Technical Data

Power supply
AC200~240V; 50/60Hz

Load current
3A~5A

External material
PC+ABS (flame retardant)

Accuracy
±1°C

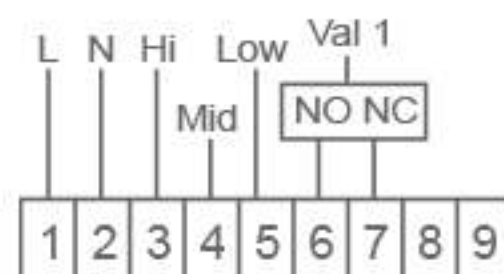
Set temp. range
10~40°C

Temperature hysteresis
±0.5~±9.9°C Adjustable
(default ±1°C)

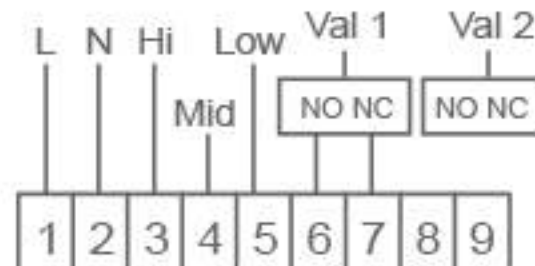
Temperature sensor
NTC

Wiring Diagram

For 2-controls
Fan Coil



For 4-controls
Fan Coil



Suitable for
standard 86mm
junction box or
European
60mm box.

Selection Table

Model	Power Supply	Application		Remote Control
	AC 200~240V	2-pipe Fan Coil	4-pipe Fan Coil	Wi-Fi
TOL313-AC2-W	✓	✓	✗	✗
TOL313-AC4-W	✓	✓	✗	✓
TOL313-AC2-B	✓	✗	✓	✗
TOL313-AC4-B	✓	✗	✓	✓



Beok Controls

