



# BEOK 2025 CATALOG

Wireless Thermostat for Gas Boiler



 Shine Wang  
 +86-13127755172  
 shine.wang@beok-controls.com  
 www.beok-controls.com  
 www.beoks.com



# About BEOK

CE RoHS RED EAC

Shanghai Beok Controls Co., Ltd, founded in 2010, has over 10 years experience to integrate the research, development and production of HVAC control system products. We adhere to the strict and practical product requirements, and take a serious and responsible attitude to provide every customer with better products and better services.



# BEOK Service



Customize  
Program



Customize  
App



Design/  
Printing



Customize  
Product Color



Customize  
Package



ODM  
Service

# Wireless Thermostat for Gas Boiler

The receiver is connected to the boiler and the thermostat is wirelessly connected to the receiver via RF.

## Gas Boiler Thermostat

There are two types of gas boiler thermostats, wired and wireless.

Gas boiler  
with dry contact

AC 230V



Passive  
connection

3 Batteries



# Main Functions of BEOK Thermostats



## App control

(Wi-Fi model only)

Control the heater remotely by smart phone.



## Voice control

(Wi-Fi model only)

Controlling the heater via smart speakers.



## Programmable schedule

Set the temperature for each time of day and make it cycle automatically every day.



## Temperature calibration

Calibrate thermostat display to actual room temperature.



## Child lock

Lock the keypad when you need it to avoid misuse.



## Non-volatile memory

Various current settings of the thermostat can be memorized in case of power failure.



## Anti-freeze

Maintains room temperature at 5°C to prevent electronic devices from freezing. Can be turned on or off in the advanced settings.



## Adjustable backlight

The brightness of the backlight can be adjusted so that the glare does not affect your rest.

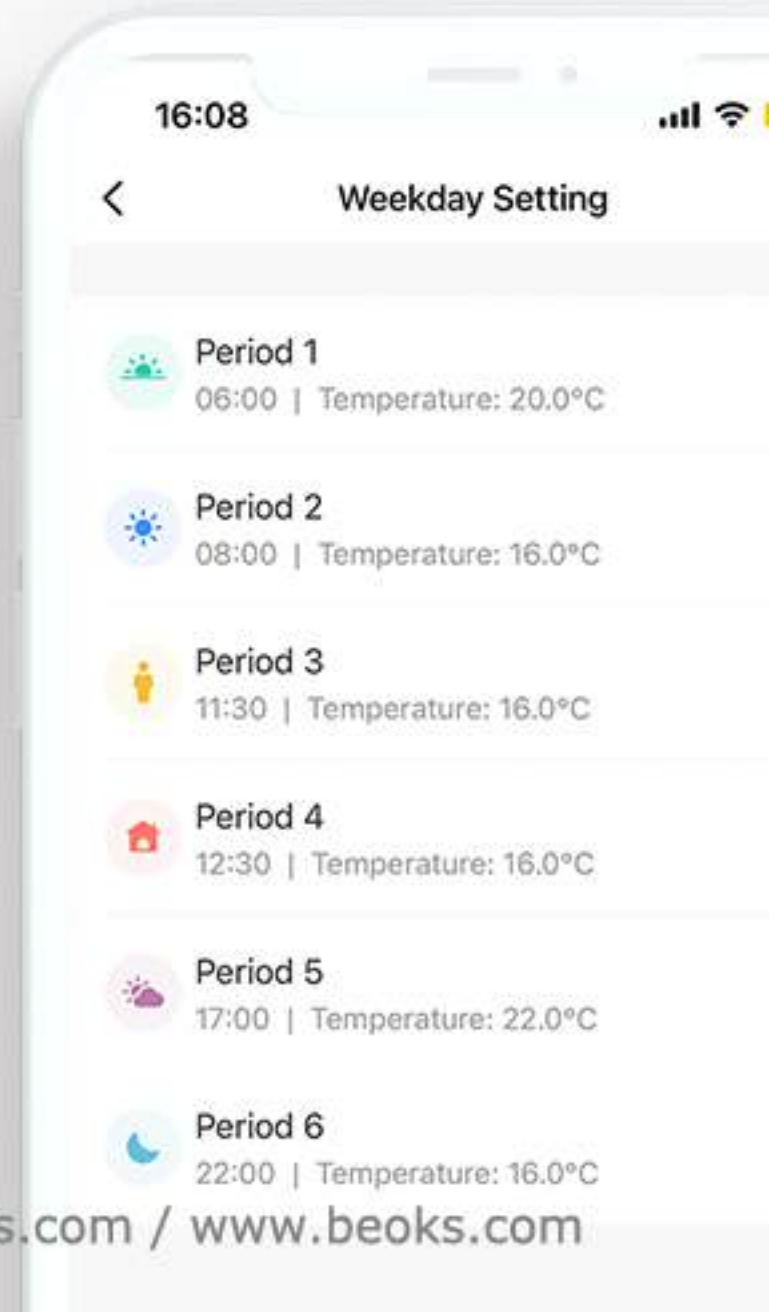
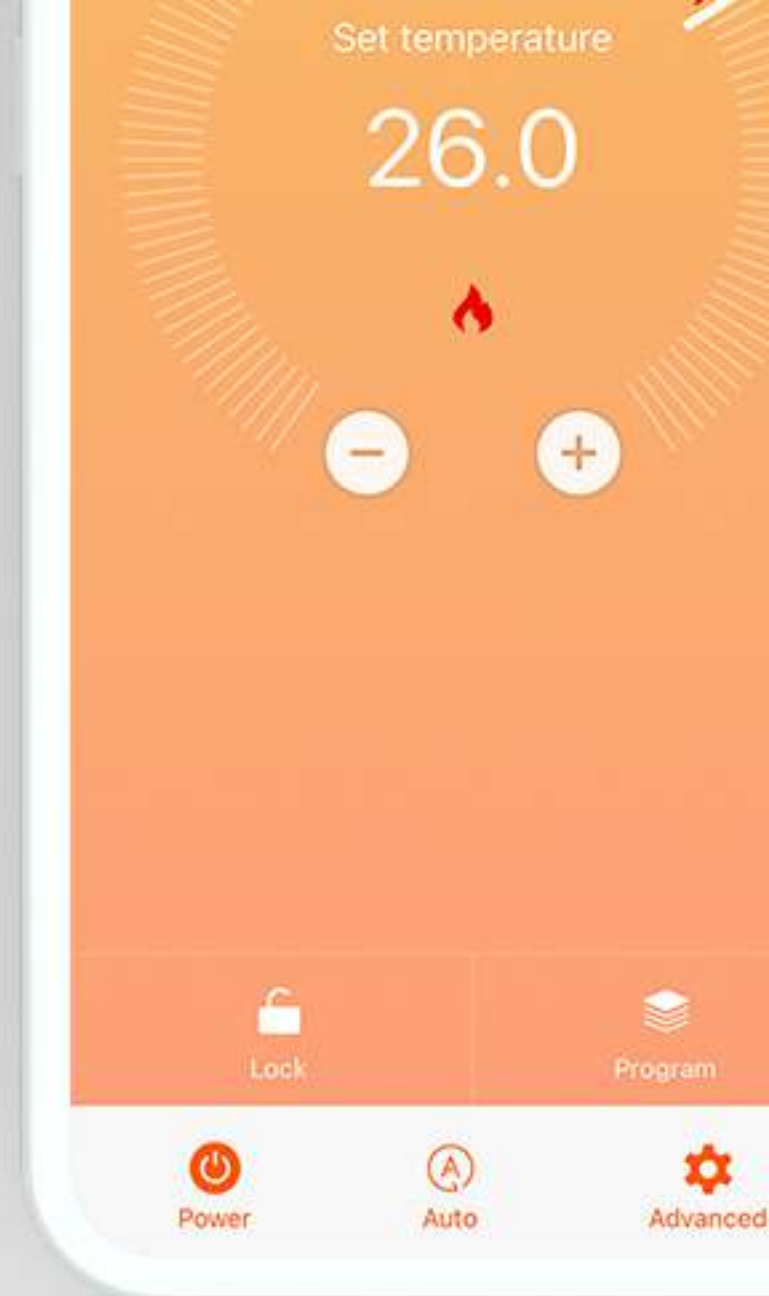
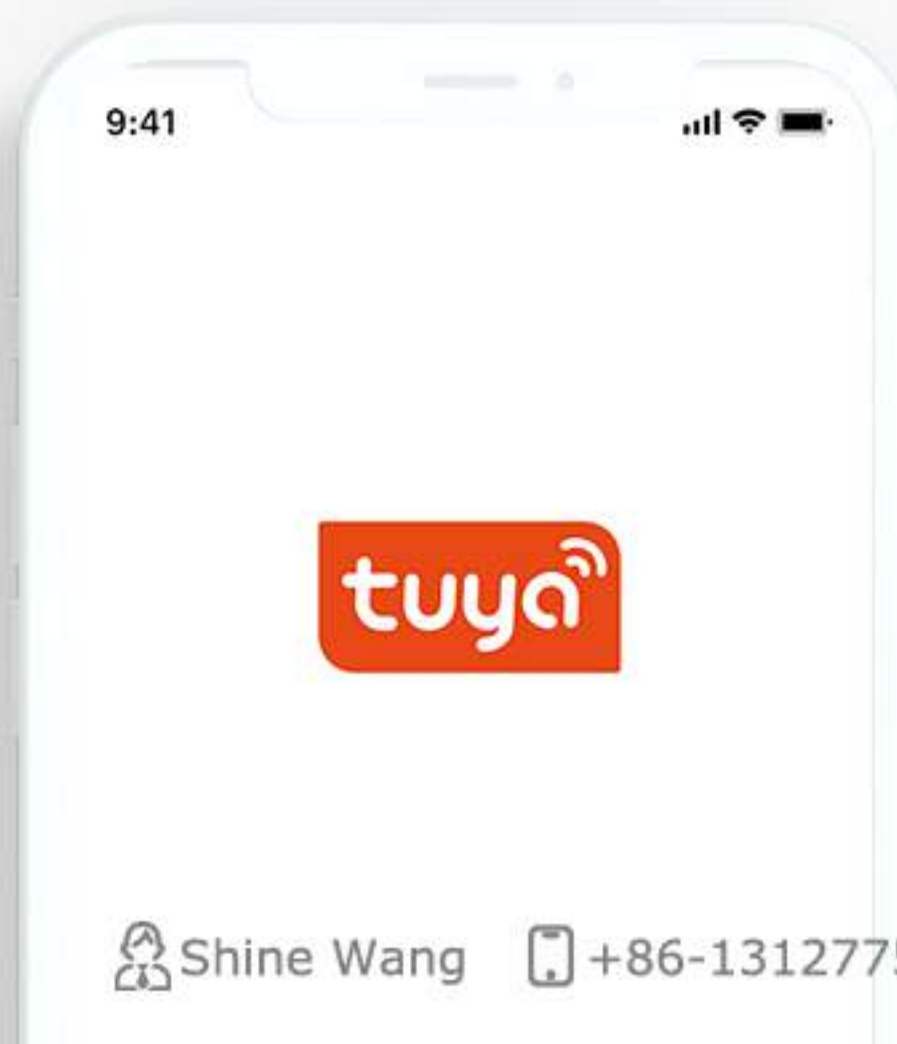


## Constant temperature

The temperature hysteresis can be set to a minimum of 0.5°C, effectively preventing indoor temperature differences.

Individual functions may vary depending on the model, please refer the product introduction page for details.

# Thermostat App Interface



## Contents



**BOT-R7X**

👉 P08



**BOT-306RF-WIFI**

👉 P09



**BOT-X306**

👉 P09



**BOT-R6X**

👉 P09

Model No.

# BOT-R7-X



Thermostat 118x86x24mm. Receiver 94x85x27mm.  
Touch keys and knob adjustment.

Work with Tuya apps



iOS & Android

Support smart speakers



**BOT-R7W-X**



**BOT-R7B-X**



**Mounting Options**



Can be wall-mounted or placed on a tabletop.

## Technical Data

**Power Supply**

Thermostat: 1.5V×3 (3 sections of 1.5V AA battery) and USB  
Receiver: 110~220 VAC

**Current Load**

3A

**Temp. control accuracy**

±1°C

**Setting temp. range**

5-99°C (factory default 5-35°C)

**Limiting temp. range**

5-99°C

**Power Consumption**

<0.15W

**Temperature hysteresis**

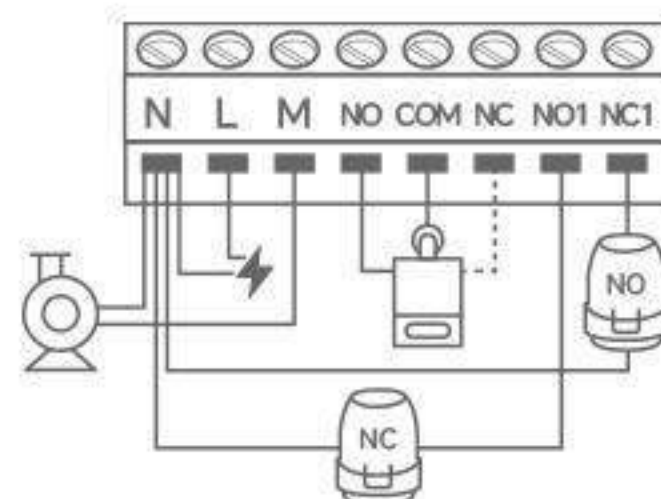
±0.5~±9.9°C Adjustable (default ±1°C)

**Sensing Element**

NTC

## Wiring Diagram of the Receiver

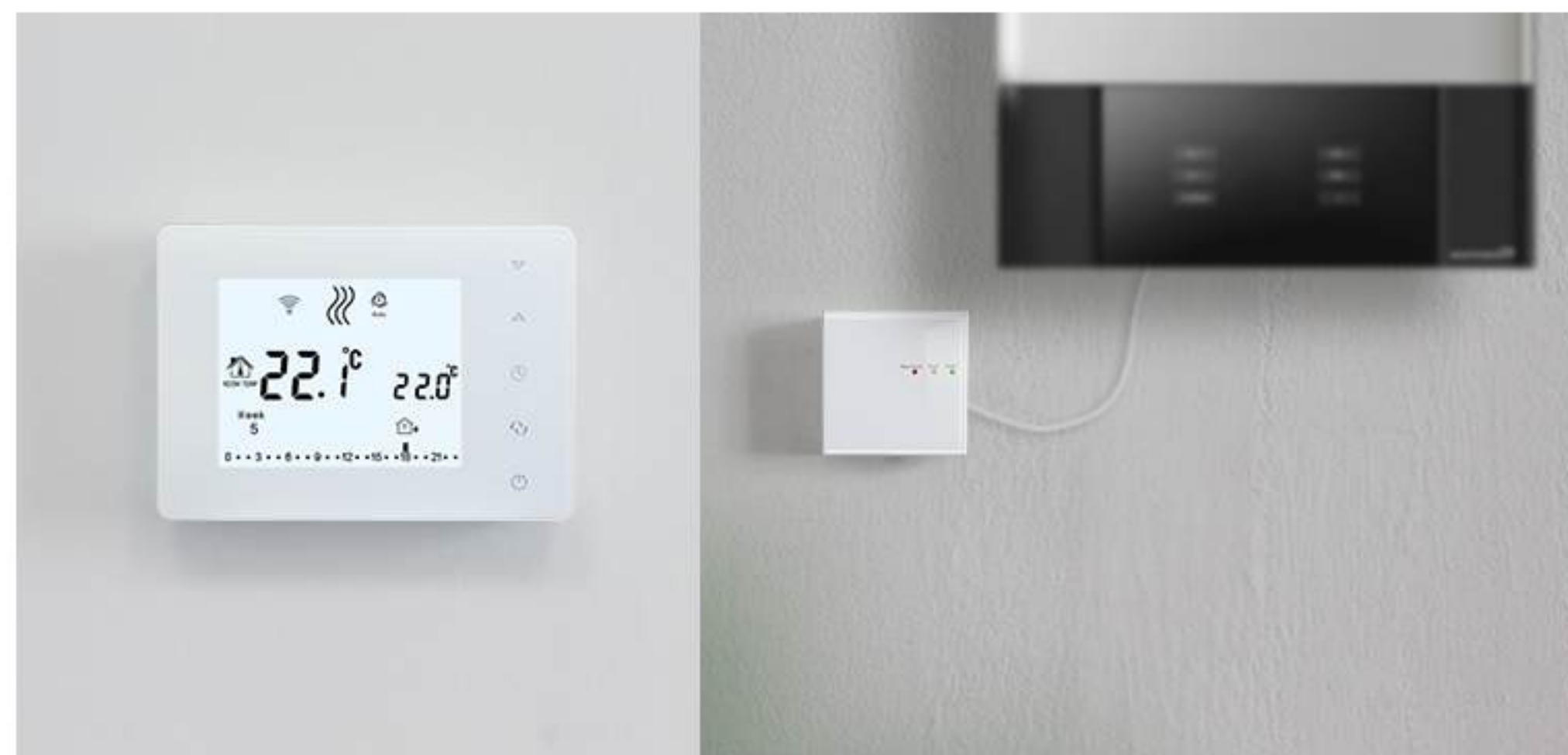
For Gas Boiler



## Selection Table

Model	Power Supply			Application	Remote Control	Additional
	<Thermostat> USB type C (5V)	<Thermostat> 3 X 1.5V AA battery	<Receiver> AC 230V			
BOT-R7W-X	✓	✓	✓	Gas Boiler	Wi-Fi	External Sensor
BOT-R7B-X	✓	✓	✓	Gas Boiler	Wi-Fi	External Sensor
BOT-R7W-X-WIFI	✓	✓	✓	Gas Boiler	✓	✗
BOT-R7B-X-WIFI	✓	✓	✓	Gas Boiler	✓	✗

# BOT-306 Series Gas Boiler Thermostats



Model No.  
**BOT-306RF-WIFI** 

Thermostat: 130x100x100mm (Dimensions after installation with holder). Touch keys.  
Receiver: 85x85x28mm.

Work with Tuya apps or BEOK Home  
 | iOS & Android

Support smart speakers 



Model No.  
**BOT-X306** 

Thermostat: 130x91x21mm. Touch keys.  
Receiver: 85x85x28mm.





## Technical Data

**Working Voltage**  
 Thermostat: USB type C (5V)  
 Receiver: 220V

**Current Load**  
 3A

**Consumption**  
 <0.3W

**Temp. control accuracy**  
 0.5-5°C

**Setting temp. range**  
 5-35°C



## Technical Data

**Working Voltage**  
 Thermostat: Two 1.5V AA batteries.  
 Receiver: 220V

**Current Load**  
 3A

**Consumption**  
 <0.3W

**Temp. control accuracy**  
 0.5-5°C

**Setting temp. range**  
 5-35°C

## Selection Table

Model	Power Supply		Application	Remote Control	Additional
	<Thermostat> USB type C (5V)	<Receiver> AC 230V			
BOT-306RF-WIFI	✓	✓	✓	✓	✗

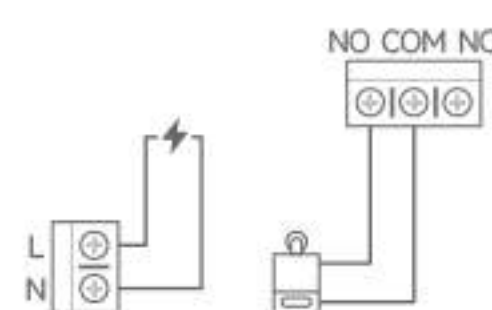
## Selection Table

Model	Power Supply		Application	Remote Control
	<Thermostat> 2 X 1.5V AA battery	<Receiver> AC 230V		
BOT-X306	✓	✓	✓	✗

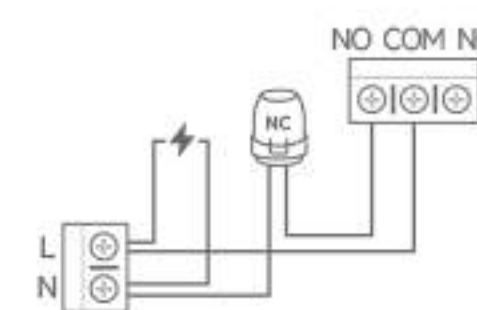


## Wiring Diagram of the Receiver

### Connect to Boiler



### Connect to Actuator



Screw mounted to wall,  
no mounting box required

# BEOK Gas Boiler Thermostat Wireless



### Mounting Options



Can be wall-mounted or placed on a tabletop.



Model No.

## BOT-R6X



Thermostat: 86x102x78mm (Dimensions after installation with holder). Touch keys. Receiver: 94x85x27mm.

Work with Tuya apps | iOS & Android

Support smart speakers

## Technical Data

**Power supply**  
Thermostat: three 1.5V AA batteries or USB powered (Type C)  
Receiver: 110~220 VAC

**Current load**  
3A (Resistive)

**Temperature sensor**  
NTC

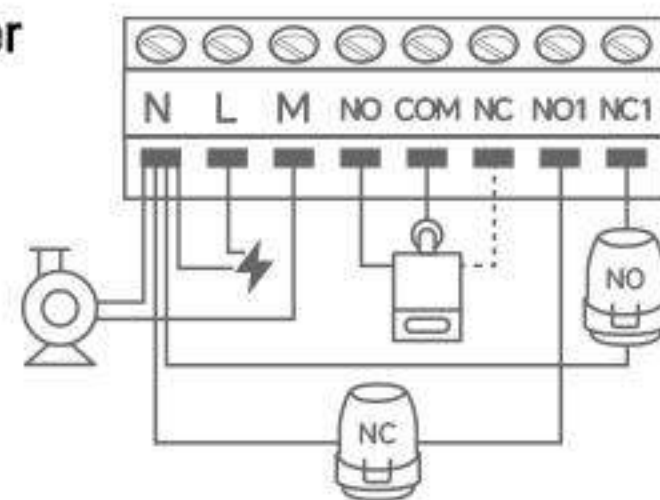
**Temperature accuracy**  
 $\pm 1^{\circ}\text{C}$

**Power consumption**  
<math> < 170 \mu\text{W}</math>

**Temperature hysteresis**  
 $\pm 0.5 \sim \pm 9.9^{\circ}\text{C}$  Adjustable (default  $\pm 1^{\circ}\text{C}$ )

## Wiring Diagram of the Receiver

For Gas Boiler



## Selection Table

Model	Power Supply			Application	Remote Control
	<Thermostat> USB type C (5V)	<Thermostat> 3 X 1.5V AA battery	<Receiver> AC 230V		
BOT-R6X	✓	✓	✓	✓	✗
BOT-R6X-WIFI	✓	✓	✓	✓	✓



Beok Controls

