

BEOK 2025 CATALOG

Wi-Fi Wireless Thermostat
for Gas Boiler



Shine Wang
+86-13127755172
shine.wang@beok-controls.com
www.beok-controls.com
www.beoks.com

About BEOK

CE RoHS RED EAC

Shanghai Beok Controls Co., Ltd, founded in 2010, has over 10 years experience to integrate the research, development and production of HVAC control system products. We adhere to the strict and practical product requirements, and take a serious and responsible attitude to provide every customer with better products and better services.



BEOK Service



Customize
Program



Customize
App



Design/
Printing



Customize
Product Color



Customize
Package



ODM
Service

Wireless Thermostat for Gas Boiler

The receiver is connected to the boiler and the thermostat is wirelessly connected to the receiver via RF.

Gas Boiler Thermostat

There are two types of gas boiler thermostats, wired and wireless.

Gas boiler
with dry contact

⚡ AC 230V



Passive
connection

3 Batteries



Main Functions of BEOK Thermostats



App control (Wi-Fi model only)

Control the heater remotely by smart phone.



Voice control (Wi-Fi model only)

Controlling the heater via smart speakers.



Programmable schedule

Set the temperature for each time of day and make it cycle automatically every day.



Temperature calibration

Calibrate thermostat display to actual room temperature.



Child lock

Lock the keypad when you need it to avoid misuse.



Non-volatile memory

Various current settings of the thermostat can be memorized in case of power failure.



Anti-freeze

Maintains room temperature at 5°C to prevent electronic devices from freezing. Can be turned on or off in the advanced settings.



Adjustable backlight

The brightness of the backlight can be adjusted so that the glare does not affect your rest.

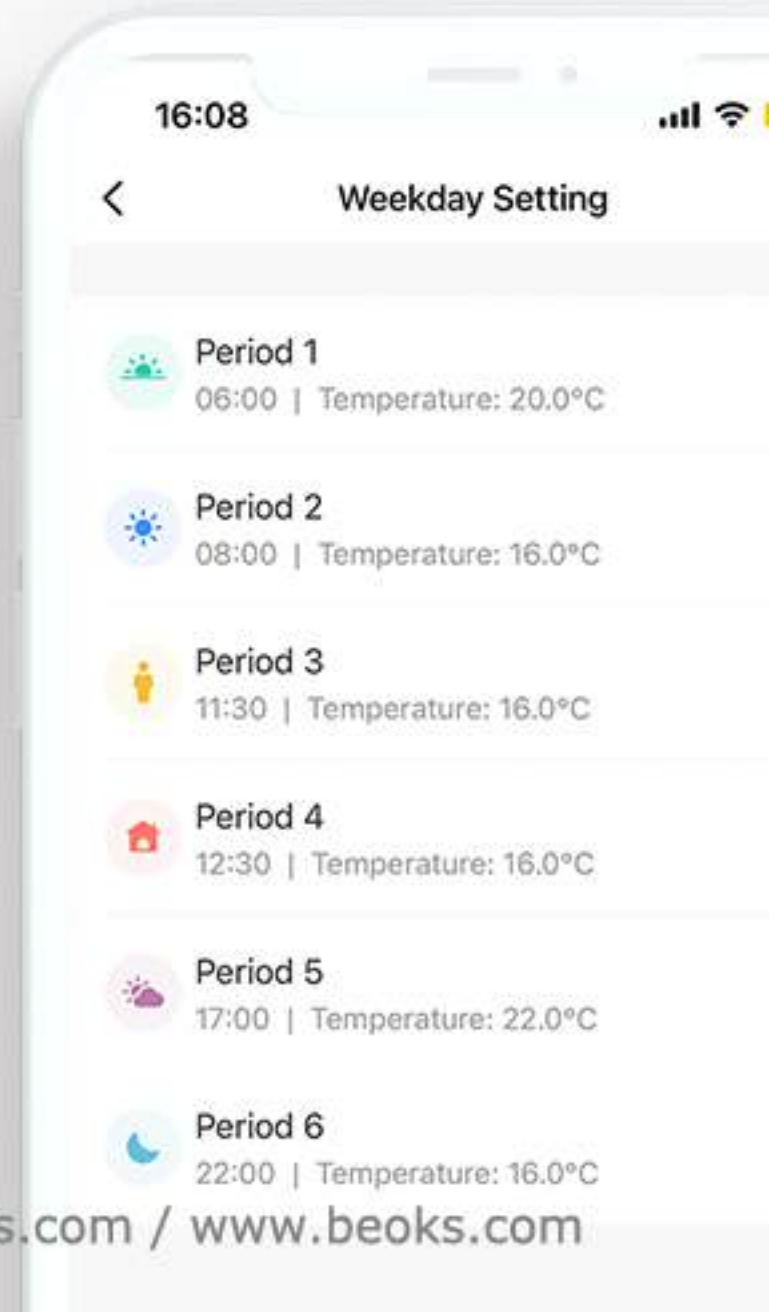
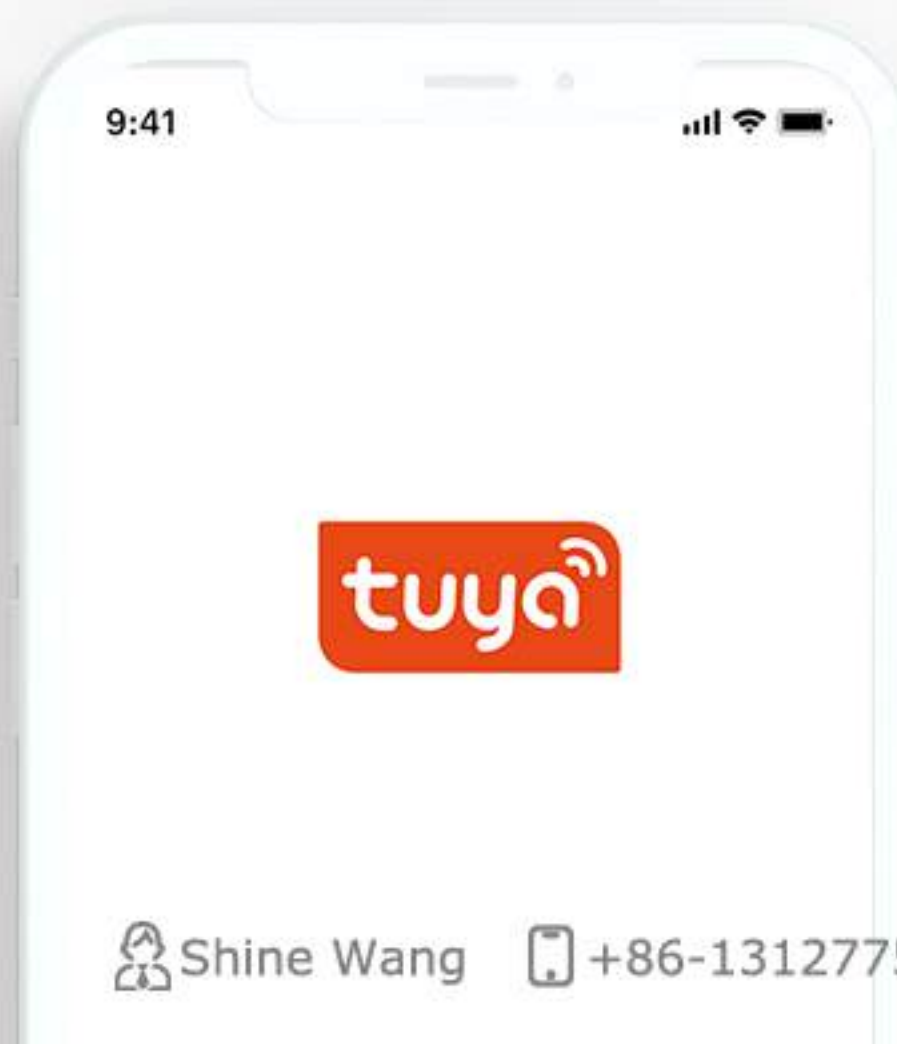
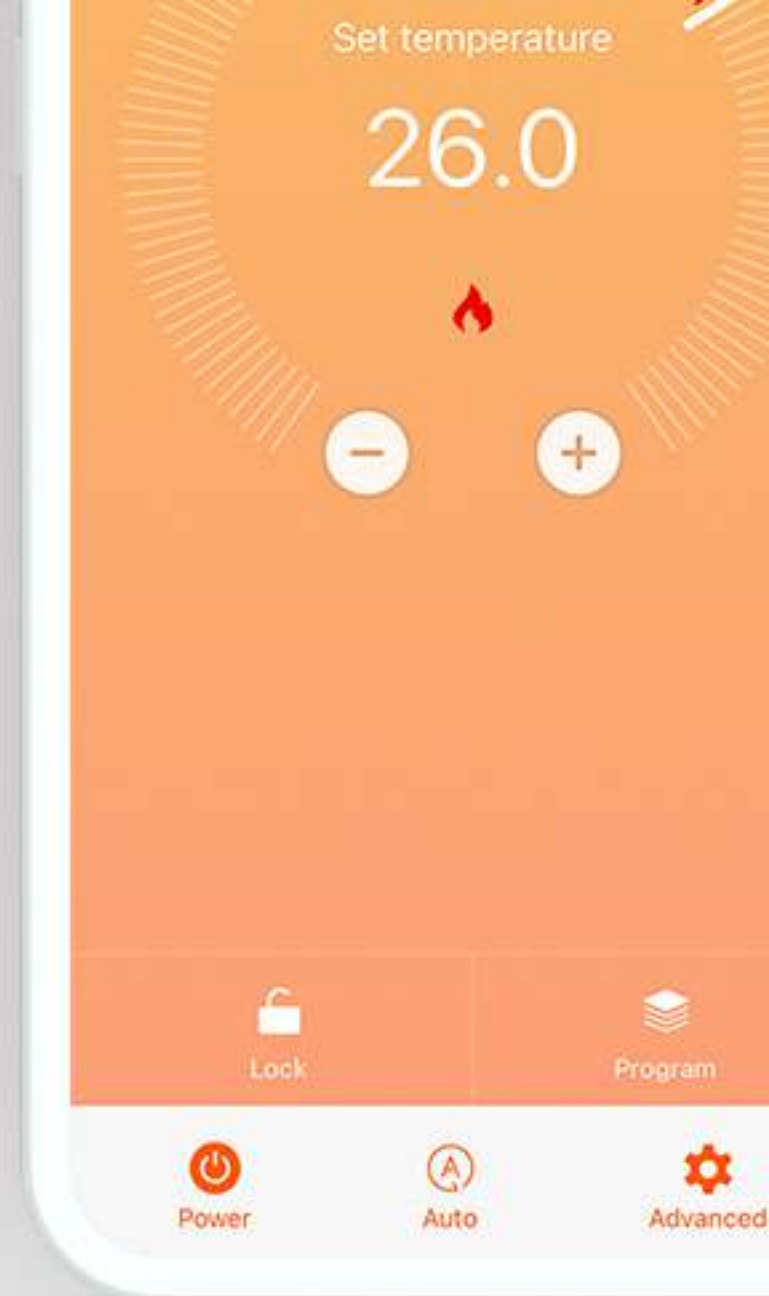


Constant temperature

The temperature hysteresis can be set to a minimum of 0.5°C, effectively preventing indoor temperature differences.

Individual functions may vary depending on the model, please refer the product introduction page for details.

Thermostat App Interface



Contents

BOT-R7X

👉 P08



BOT-306RF-WIFI

👉 P09



BOT-R6X

👉 P10



Model No.

BOT-R7X-WIFI



Thermostat 118x86x24mm. Receiver 94x85x27mm.
Touch keys and knob adjustment.

Work with Tuya apps | iOS & Android

Support smart speakers



BOT-R7W-X-WIFI



BOT-R7B-X-WIFI

Mounting Options



Can be wall-mounted or placed on a tabletop.



Technical Data

Power Supply
Thermostat: 1.5V×3 (3 sections of 1.5V AA battery) and USB
Receiver: AC 230V

Current Load
3A

Temp. control accuracy
±1°C

Setting temp. range
5-99°C (factory default 5-35°C)

Limiting temp. range
5-99°C

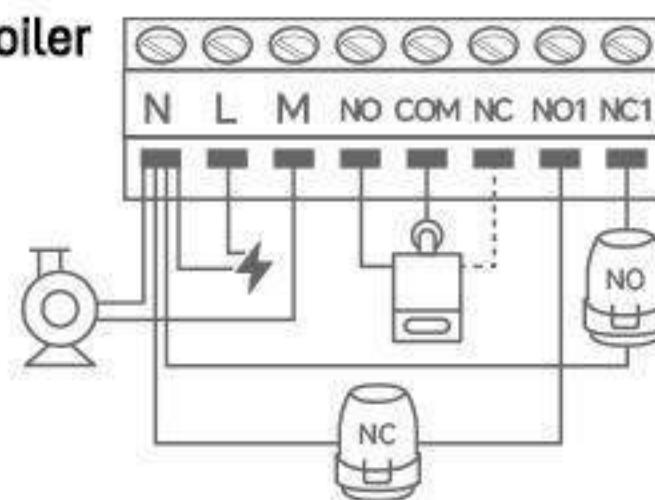
Power Consumption
<0.15W

Temperature hysteresis
±0.5~±9.9°C Adjustable (default ±1°C)

Sensing Element
NTC

Wiring Diagram of the Receiver

For Gas Boiler



Selection Table

Model	Power Supply			Application	Remote Control
	<Thermostat> USB type C (5V)	<Thermostat> 3X 1.5V AA battery	<Receiver> AC 230V		
BOT-R7W-X-WIFI	✓	✓	✓	Gas Boiler ✓	Wi-Fi ✓
BOT-R7B-X-WIFI	✓	✓	✓	Gas Boiler ✓	Wi-Fi ✓

Model No.

BOT-306RF-WIFI

Thermostat: 130x100x100mm (Dimensions after installation with holder).
Touch keys. Receiver: 85x85x28mm.

Work with Tuya apps or BEOK Home  | iOS & Android

Support smart speakers 



Technical Data

Working Voltage

Thermostat: USB type C (5V)
Receiver: 220V

Current Load

3A

Consumption

<0.3W

Temp. control accuracy

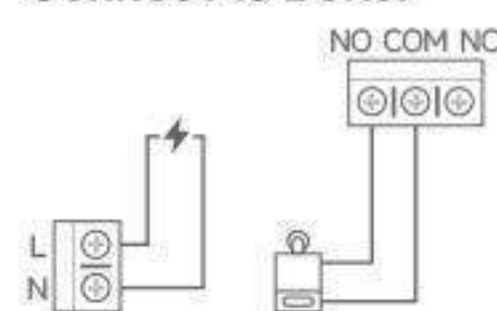
0.5-5°C

Setting temp. range

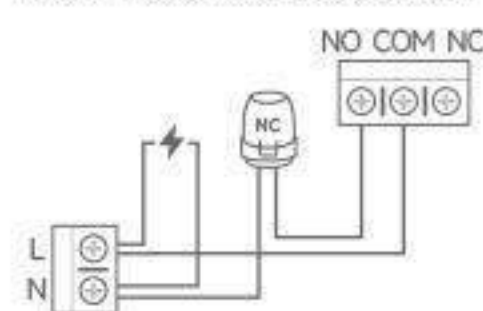
5-35°C


Wiring Diagram of the Receiver

Connect to Boiler



Connect to Actuator




Screw mounted to wall, no mounting box required

Selection Table

Model	Power Supply		Application	Remote Control
	<Thermostat> USB type C (5V)	<Receiver> AC 230V	Gas Boiler	Wi-Fi
BOT-306RF-WIFI	✓	✓	✓	✓

BEOK Gas Boiler Thermostat Wireless



Mounting Options



Can be wall-mounted or placed on a tabletop.



Model No.

BOT-R6X-WIFI



Thermostat: 86x102x78mm (Dimensions after installation with holder). Touch keys. Receiver: 94x85x27mm.

Work with Tuya apps | iOS & Android

Support smart speakers

Technical Data

Power supply
Thermostat: three 1.5V AA batteries or USB powered (Type C)
Receiver: 110~220 VAC

Current load
3A (Resistive)

Temperature sensor
NTC

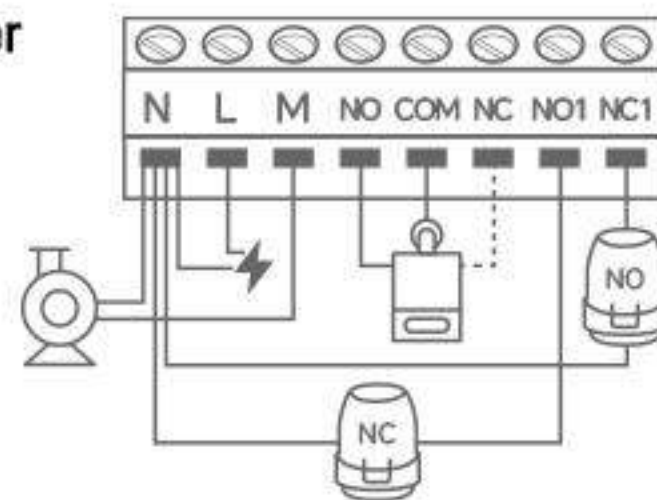
Temperature accuracy
 $\pm 1^{\circ}\text{C}$

Power consumption
<math>< 170 \mu\text{W}</math>

Temperature hysteresis
 $\pm 0.5 \sim \pm 9.9^{\circ}\text{C}$ Adjustable (default $\pm 1^{\circ}\text{C}$)

Wiring Diagram of the Receiver

For Gas Boiler



Selection Table

Model	Power Supply			Application	Remote Control
	<Thermostat> USB type C (5V)	<Thermostat> 3 X 1.5V AA battery	<Receiver> AC 230V		
BOT-R6X-WIFI	✓	✓	✓	✓	✓



Beok Controls

