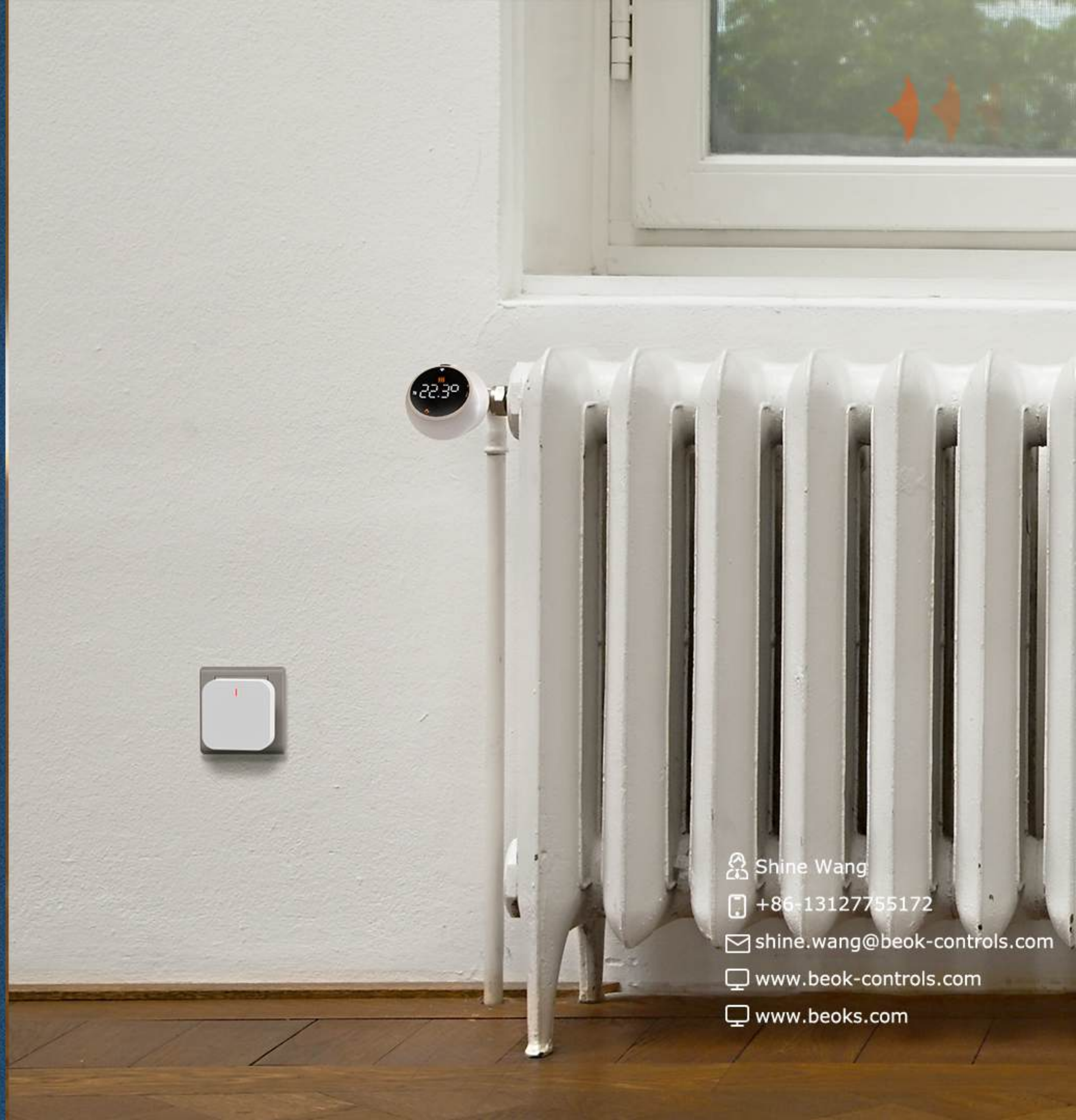




# BEOK 2025 CATALOG

Zigbee Thermostatic Radiator Valve



 Shine Wang  
 +86-13127755172  
 shine.wang@beok-controls.com  
 www.beok-controls.com  
 www.beoks.com

# About BEOK

CE RoHS RED EAC

Shanghai Beok Controls Co., Ltd, founded in 2010, has over 10 years experience to integrate the research, development and production of HVAC control system products. We adhere to the strict and practical product requirements, and take a serious and responsible attitude to provide every customer with better products and better services.



# BEOK Service



Customize  
Program



Customize  
App



Design/  
Printing



Customize  
Product Color



Customize  
Package



ODM  
Service

# Main Functions of BEOK Radiator Valves



### App control

Control the radiator remotely by smart phone with multilanguage interface.



### Voice control

Controlling the heater via smart speakers.



### Programmable schedule

Set the temperature for each time of day and make it cycle automatically every day.



### Temperature calibration

Calibrate thermostat display to actual room temperature.



### Child lock

Lock the keypad when you need it to avoid misuse.



### Non-volatile memory

Various current settings of the thermostat can be memorized in case of power failure.



### Anti-freeze

Maintains room temperature at 5°C to prevent electronic devices from freezing. Can be turned on or off in the advanced settings.



### Anti-limescale

The anti-limescale program is activated at regular intervals throughout the week.

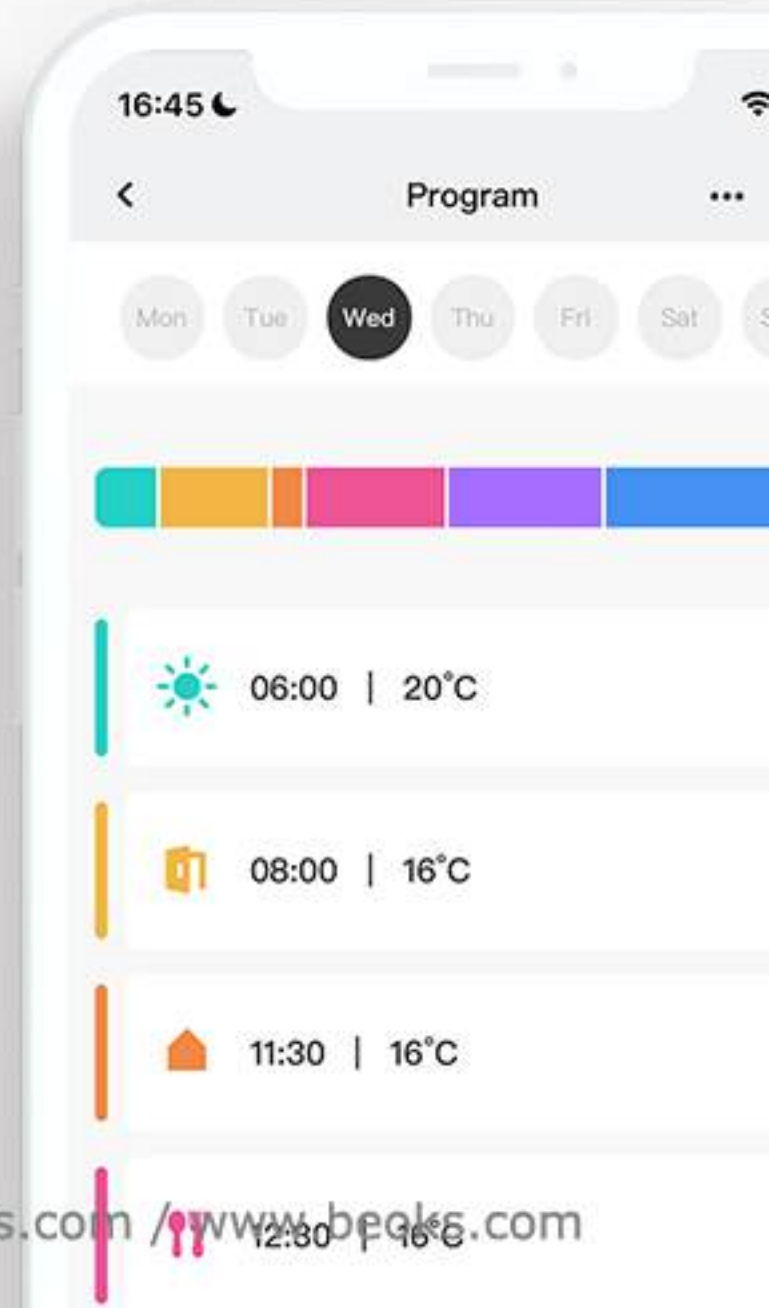
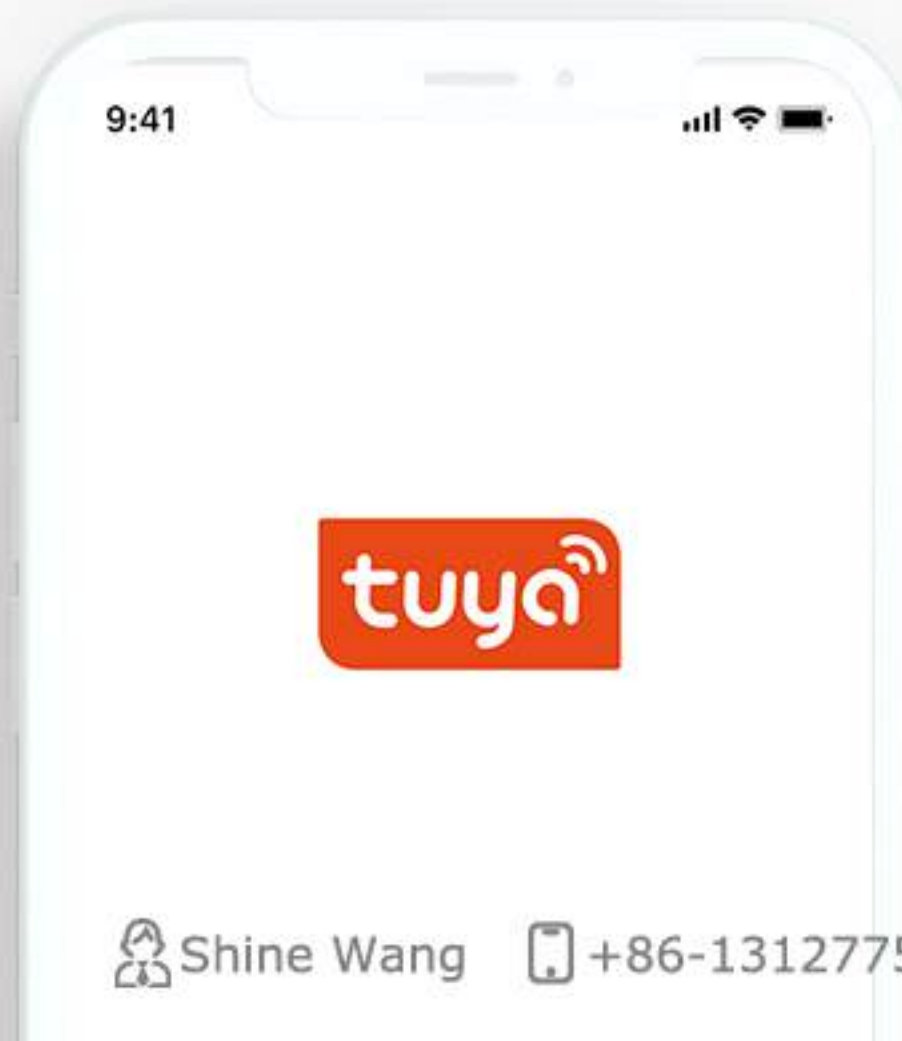
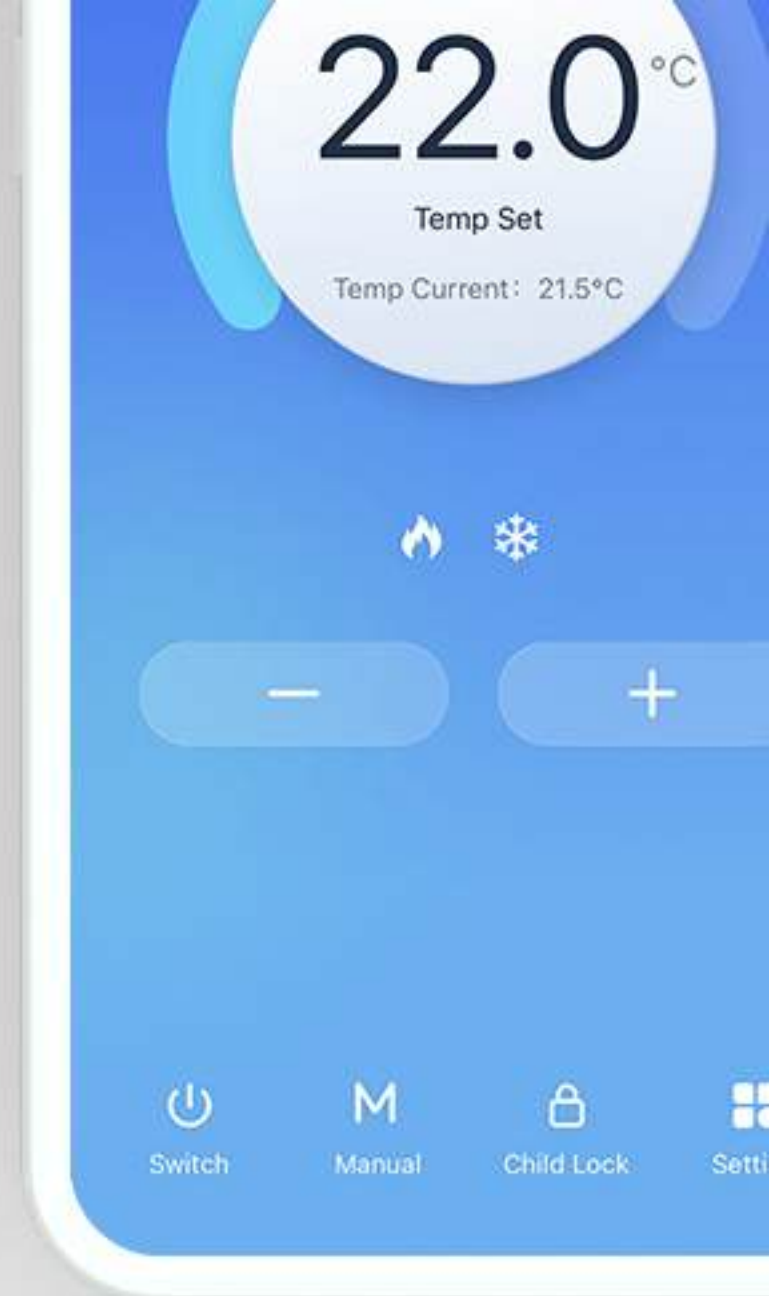
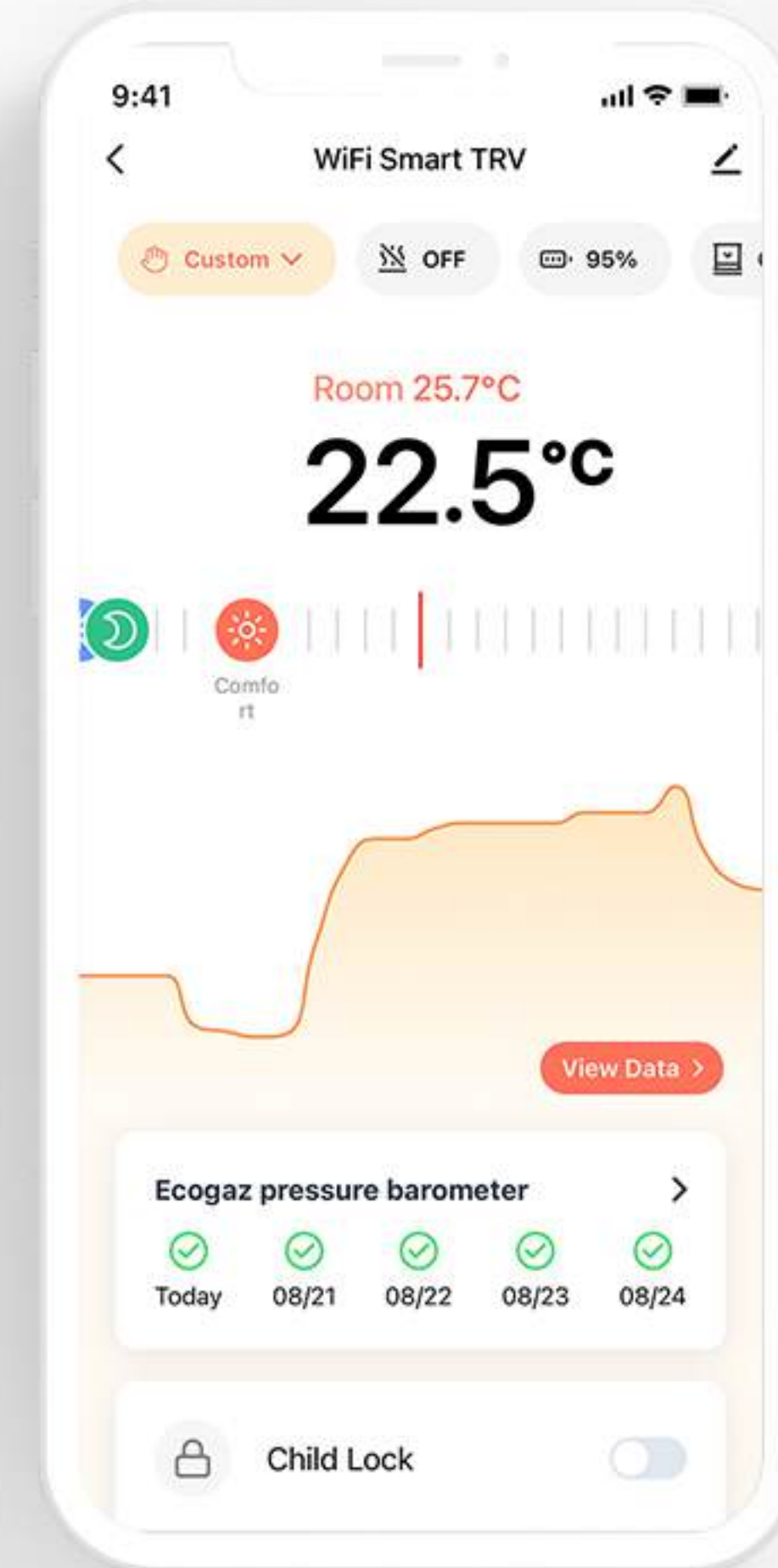


### Open Window Detecton

Turn off the heater when the room temperature drops drastically to conserve energy.

Individual functions may vary depending on the model, please refer the product introduction page for details.

# Thermostatic Radiator Valve App Interface



# Comes with Adaptors for Most Radiator



For Danfoss  
RA Valves



For Danfoss  
RAV Valves



For Danfoss  
RAVL Valves



For Caleff i Valves



For Giacomini Valves



For M28 Valves



Screws & Nuts

# Contents



**TRV-601**

👉 P10



**TRV-602**

👉 P11



**TRV705-ZB**

👉 P12



**TRV803-ZB**

👉 P13



**TRV804-ZB**

👉 P14



**WLN-03X**

👉 P15

# Zigbee Thermostatic Radiator Valve

Connected by Zigbee protocol, low power consumption and high security. Requires Tuya gateway.

App



Zigbee  
Gateway



Radiator  
Valve



The Zigbee thermostat connects to your phone through a gateway for app control and voice control.





Model No.  
**Zigbee TRV-601**

Frosted housing with a top knob that can be pressed. Connection part in frosted metal.

 **zigbee**

Work with Tuya apps   | iOS & Android

Support smart speakers  

## Technical Data

**Power supply:** 3\*1.5V AA battery (not included)  
**Current Consumption:** 100mA Max  
**Temperature Setting range:** 5~35°C

**Display Accuracy:** 0.5°C  
**Thread size:** M30\*1.5  
**Linear Travel:** 4.3mm

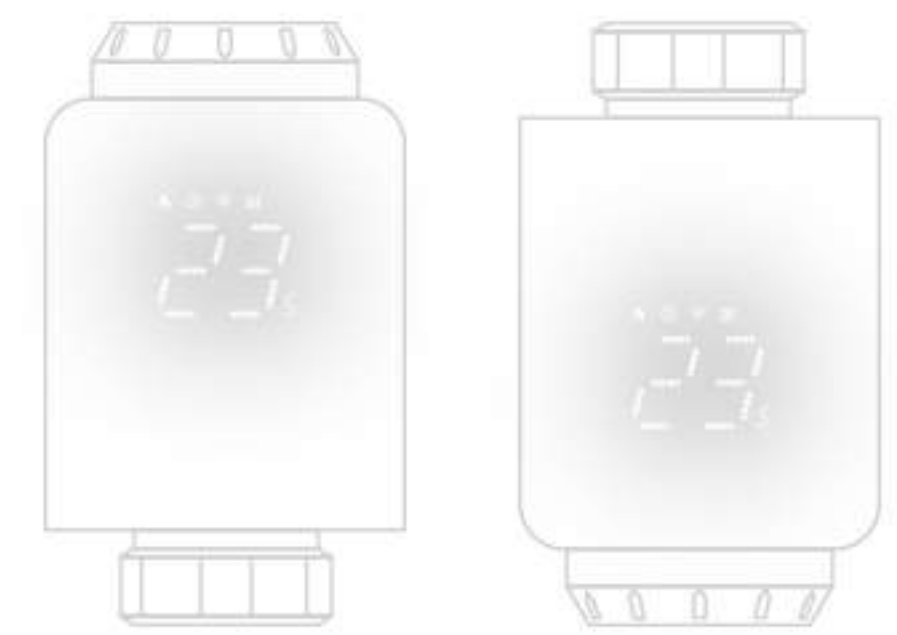
**Ambient Temperature:** -5~50°C  
**Weight:** 200g

## Dimensions & Icons



## Screen Rotation

The screen can be oriented in two directions.





## Model No. Zigbee TRV-602

Glossy housing with a top knob that can be pressed. Connection part in frosted metal.



Work with Tuya apps  | IOS & Android

Support smart speakers 

## Technical Data

**Power supply:** 3\*1.5V AA battery (not included)

**Current Consumption:** 100mA Max

**Temperature Setting range:** 5~35°C

**Display Accuracy:** 0.5°C

**Thread size:** M30\*1.5

**Linear Travel:** 4.3mm

**Ambient Temperature:** -5~50°C

**Weight:** 200g

## Dimensions & Icons



## Screen Rotation

The screen can be oriented in four directions.





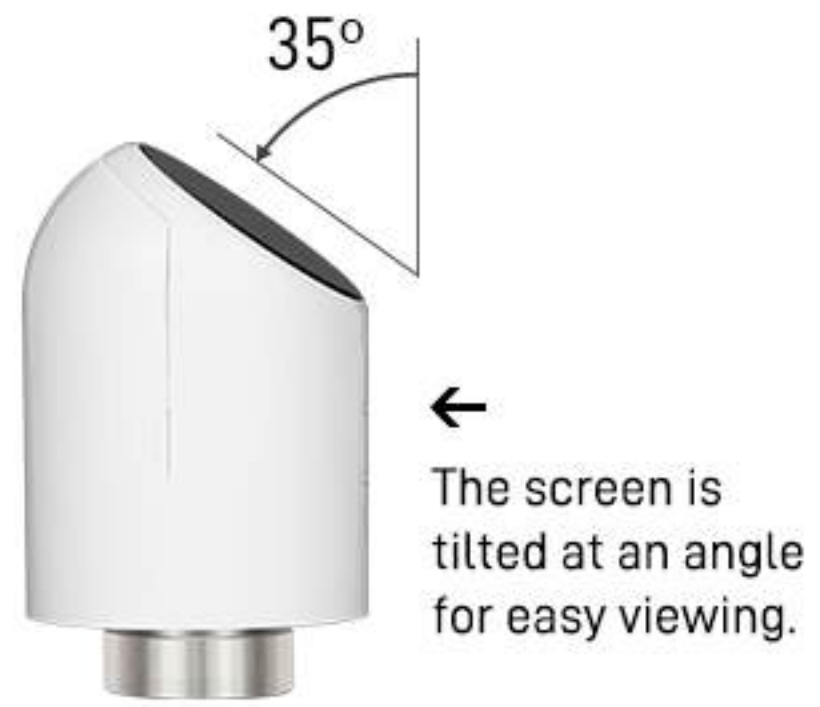
Model No.  
**Zigbee TRV705-ZB**

The matte finish with mechanical buttons makes it easy for anyone to use.



Work with Tuya apps | iOS & Android

Support smart speakers



← The screen is tilted at an angle for easy viewing.



## Technical Data

**Power supply:** 3\*1.5V AA battery (not included)  
**Current Consumption:** 100mA Max  
**Temperature Setting range:** 5~35°C

**Display Accuracy:** 0.5°C  
**Thread size:** M30\*1.5  
**Linear Travel:** 6mm

**Ambient Temperature:** 0~50°C  
**Weight:** 210g

## Dimensions



## Screen Rotation

The screen can be oriented in two directions.





Model No.  
**Zigbee TRV803-ZB**

Features a clear display and stylish touch key design on a silver background.



Work with Tuya apps | iOS & Android

Support smart speakers



## Technical Data

**Power supply:** 3\*1.5V AA battery (not included)  
**Surface Temperature:** 90°CMax (at the radiator)

**Standby Current:** 6μA Min  
**Thread size:** M30\*1.5  
**Linear Travel:** 6mm

**Ambient Temperature:** 0~50°C  
**Weight:** 139g

## Dimensions





Model No.  
**Zigbee TRV804-ZB**

Frosted housing with a top knob that can be pressed. Connection part in frosted metal.

**zigbee**

Work with Tuya apps | iOS & Android

Support smart speakers



## Technical Data

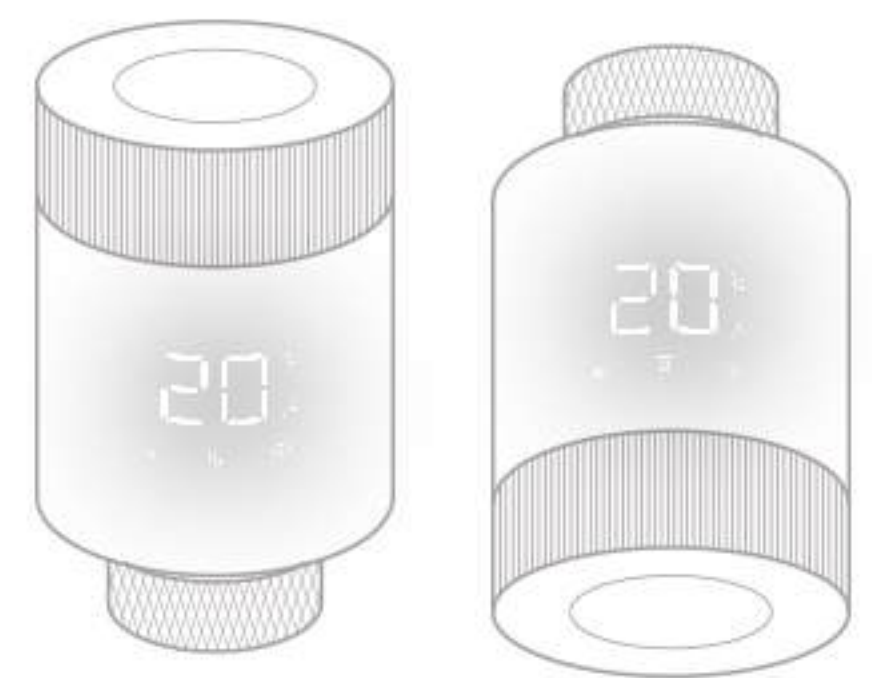
<b>Power supply:</b> 3*1.5V AA battery (not included)	<b>Surface Temperature:</b> 90°CMax (at the radiator)	<b>Ambient Temperature:</b> 0~50°C
<b>Standby Current:</b> 6µA Min	<b>Thread size:</b> M30*1.5	<b>Weight:</b> 139g
<b>Storage temperature:</b> -10°C~85°C	<b>Linear Travel:</b> 6mm	

## Dimensions



## Screen Rotation

The screen can be oriented in two directions.



# BEOK Zigbee Thermostatic Radiator Valve



Model No.  
**WLN-03-X**

86x86x18mm  
Zigbee gateway hub

Work with Tuya apps   | iOS & Android

## Technical Data

<b>Power supply</b> 5V/1A	<b>Maximum radiated power (Zigbee)</b> 10dBm
<b>Interface</b> Micro-USB	<b>Maximum radiated power (Zigbee)</b> 20dBm
<b>Frequency</b> Zigbee 2.400~2.480GHz Wi-Fi 2.400~2.4835GHz	<b>Working temperature</b> -10~40°C
<b>LED</b> Red and blue	<b>Working environment</b> Indoor

## Zigbee technology

Zigbee technology is a wireless communication technology applied to short distances and low rates, and is mainly used for data transmission between various electronic devices over short distances, with low power consumption and low transmission rates, as well as typical applications with periodic data, intermittent data, and low reaction time data transmission.





Beok Controls

